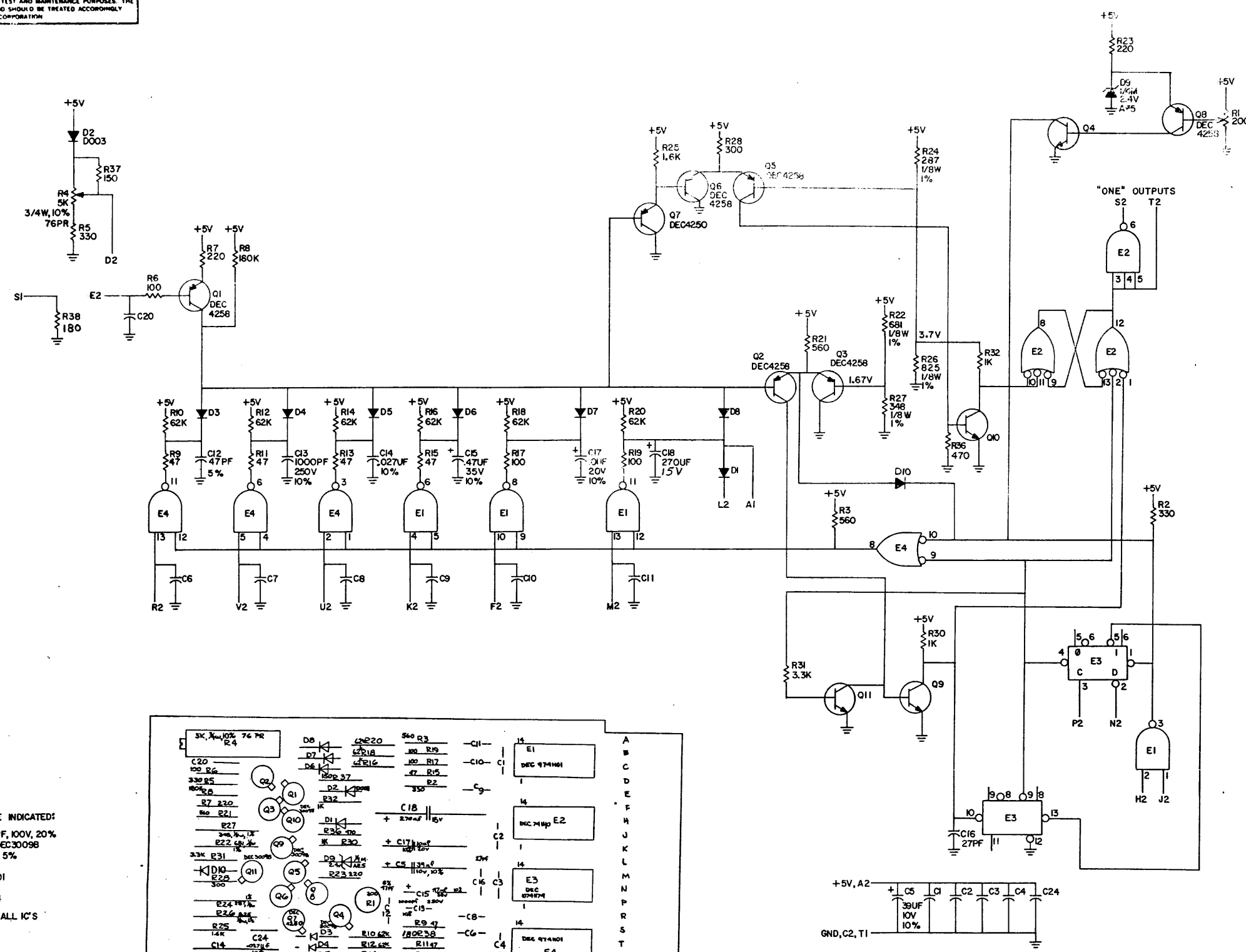
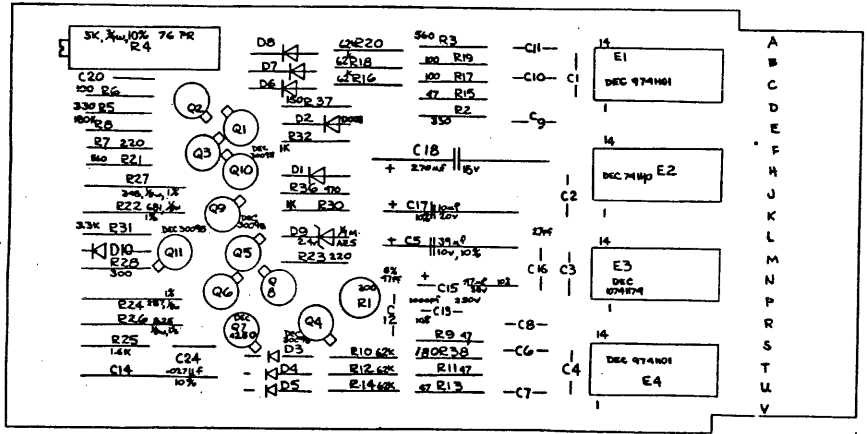


THIS SCHEMATIC IS FURNISHED ONLY FOR TEST AND MAINTENANCE PURPOSES. THE CIRCUITS ARE PROPRIETARY IN NATURE AND SHOULD BE TREATED ACCORDINGLY. COPYRIGHT 1971 BY DIGITAL EQUIPMENT CORPORATION.

1-0-808W
30 0
12/5



UNLESS OTHERWISE INDICATED:
CAPACITORS = .01UF, 100V, 20%
TRANSISTORS = DEC3009B
RESISTORS = 1/4W, 5%
DIODES = D664
E1, E4 = DEC974H01
E2 = DEC74H10
E3 = DEC1074H74
PIN 7 = GND ON ALL IC'S
PIN 14 = +5V



ITEM NO.	QTY	DESCRIPTION	QTY
1	1	RES. 180 1/8W 5%	1
2	1	RES. 27PF 100V 5% MICA	1
3	1	RES. 287 1/8W 1% MP	1
4	1	RES. 825 1/8W 1% MP	1
5	1	RES. 47 1/4W 5%	1
6	1	TRANSISTOR DEC 4258	1
7	1	RES. 300 1/4W 5%	1
8	2	RES. 220 1/4W 5%	2
9	1	RES. 200 1/4W 20% 62PR POT	1
10	1	RES. 348 1/8W 1% MP	1
11	1	RES. 681 1/8W 1% MP	1
12	1	RES. 1000 1/4W 5%	1
13	1	HANDLE, FLUF CHIP - MAGENTA	1
14	2	EYELET	2
15	2	I.C. DEC 974H01	2
16	1	I.C. DEC1074H74	1
17	1	I.C. DEC 74H10	1
18	6	TRANSISTOR DEC 4258	6
19	4	TRANSISTOR DEC 3009B	4
20	1	RES. 5K 3/4W 10% 76PR POT	1
21	6	RES. 62K 1/4W 5%	6
22	1	RES. 1.6K 1/4W 5%	1
23	1	RES. 100K 1/4W 5%	1
24	2	RES. 560 1/4W 5%	2
25	1	RES. 3.3K 1/4W 5%	1
26	2	RES. 1K 1/4W 5%	2
27	2	RES. 330 1/4W 5%	2
28	1	RES. 470 1/4W 5%	1
29	1	RES. 150 1/4W 5%	1
30	2	RES. 100 1/4W 5%	2
31	1	DICOD 74H10	1
32	8	DICOD D664	8
33	1	DICOD D003	1
34	1	CAP. 10UF 20V 10% S.TANT	1
35	1	CAP. 270UF 15V 10% S.TANT	1
36	1	CAP. 47UF 35V 10% TANT	1
37	1	CAP. .01UF 100V 20% DISC	1
38	1	CAP. 39UF 10V 10% TANT	1
39	1	CAP. 1000PF 250V 10% DISC	1
40	1	CAP. .027UF 100V 10% NYLAR	1
41	1	CAP. 47PF 100V 5% D.M.	1
42	1	CAP. 47PF 100V 5%	1
43	1	ETCHED CIRCUIT BOARD	1
44	1	MODULE ECC HISTORY	1
45	1	ASSY/DRILLING HOLE LAYOUT	1
46	1	A-Y COORDINATE HOLE LOCATION	1

REV	DATE	BY	CHKD
1	7/15/70	NANCY HOUSE	
2	7/15/70		
3	7/15/70		
4	7/15/70		
5	7/15/70		
6	7/15/70		
7	7/15/70		
8	7/15/70		
9	7/15/70		
10	7/15/70		

DATE	BY	DATE	BY
7/15/70	NANCY HOUSE	7/15/70	
7/15/70		7/15/70	
7/15/70		7/15/70	
7/15/70		7/15/70	
7/15/70		7/15/70	
7/15/70		7/15/70	
7/15/70		7/15/70	
7/15/70		7/15/70	
7/15/70		7/15/70	
7/15/70		7/15/70	

DATE	BY	DATE	BY
7/15/70	NANCY HOUSE	7/15/70	
7/15/70		7/15/70	
7/15/70		7/15/70	
7/15/70		7/15/70	
7/15/70		7/15/70	
7/15/70		7/15/70	
7/15/70		7/15/70	
7/15/70		7/15/70	
7/15/70		7/15/70	
7/15/70		7/15/70	

digital
EQUIPMENT CORPORATION
INTEGRATING ONE SHOT M308
PARTS LIST
M308-0-1
REV D