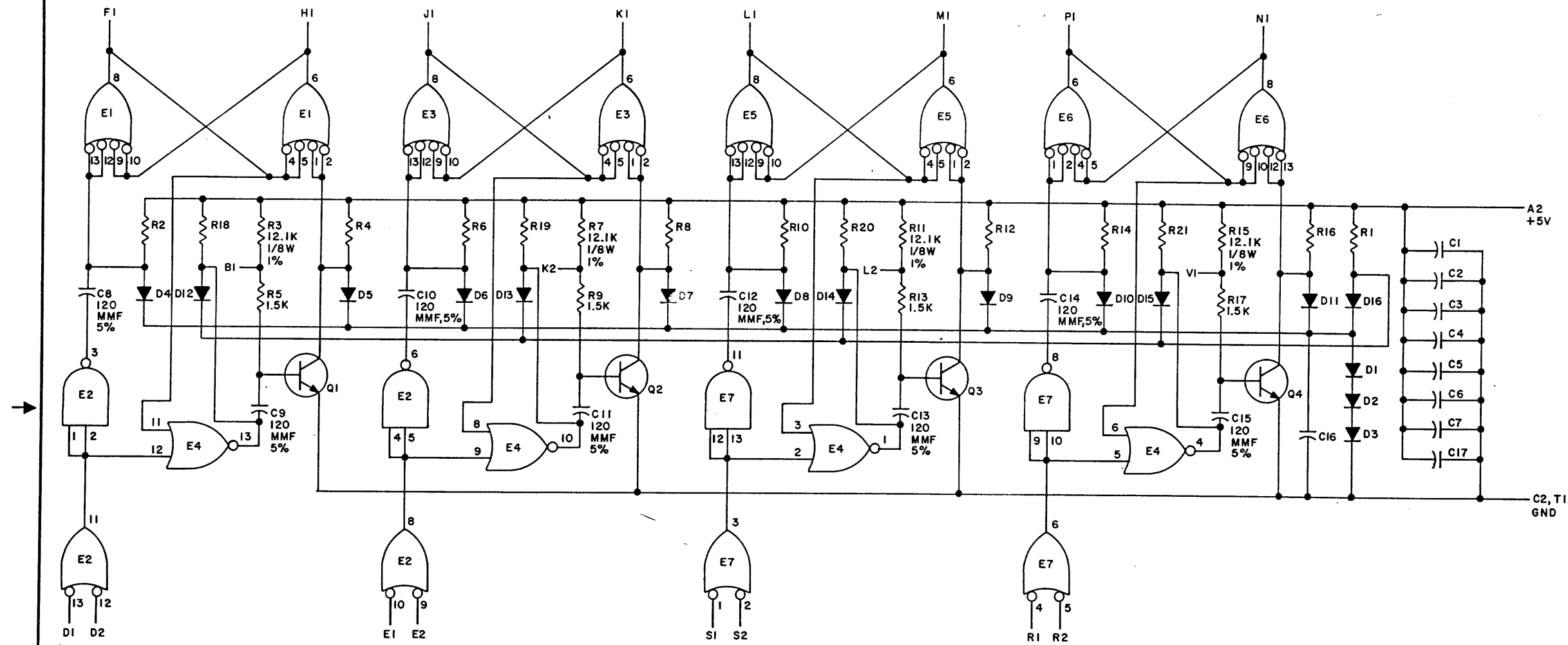


THIS SCHEMATIC IS FURNISHED ONLY FOR TEST AND MAINTENANCE PURPOSES. THE CIRCUITS ARE PROPRIETARY IN NATURE AND SHOULD BE TREATED ACCORDINGLY. COPYRIGHT 1969 BY DIGITAL EQUIPMENT CORPORATION



UNLESS OTHERWISE INDICATED:
 RESISTORS ARE 1K
 RESISTORS ARE 1/4W, 5%
 TRANSISTORS ARE DEC3009B
 E1, E3, E5, E6 ARE DEC7440
 E2, E7 ARE DEC7400
 E4 IS DEC7402
 PIN 7 ON EACH IC = GND
 PIN 14 ON EACH IC = +5V
 DIODES ARE D664
 CAPACITORS ARE .01MFD, 100V, 20%

REV. B
 NUMBER
 CS M304-0-1
 SIZE CODE
 C

REV.	CHG NO.	CHK
A	00001	
B	00002	

DEC FORM NO. DRC 102

DRN. <i>M. Haller</i>	DATE 4-22-69
CHK'D <i>M. Housh</i>	DATE 4-23-69
ENG. <i>R. J. ...</i>	DATE 6-20-69
PROD.	DATE

TRANSISTOR & DIODE CONVERSION CHART	
DEC	EIA
D664	1N3606
DEC3009B	2N3009

digital EQUIPMENT CORPORATION
 MAYNARD, MASSACHUSETTS

TITLE: ONE SHOT DELAY M304

SIZE CODE: C CS
 NUMBER: M304-0-1
 REV. B

PRINTED CIRCUIT REV. B

DIST. 320,424,402
 F10, K