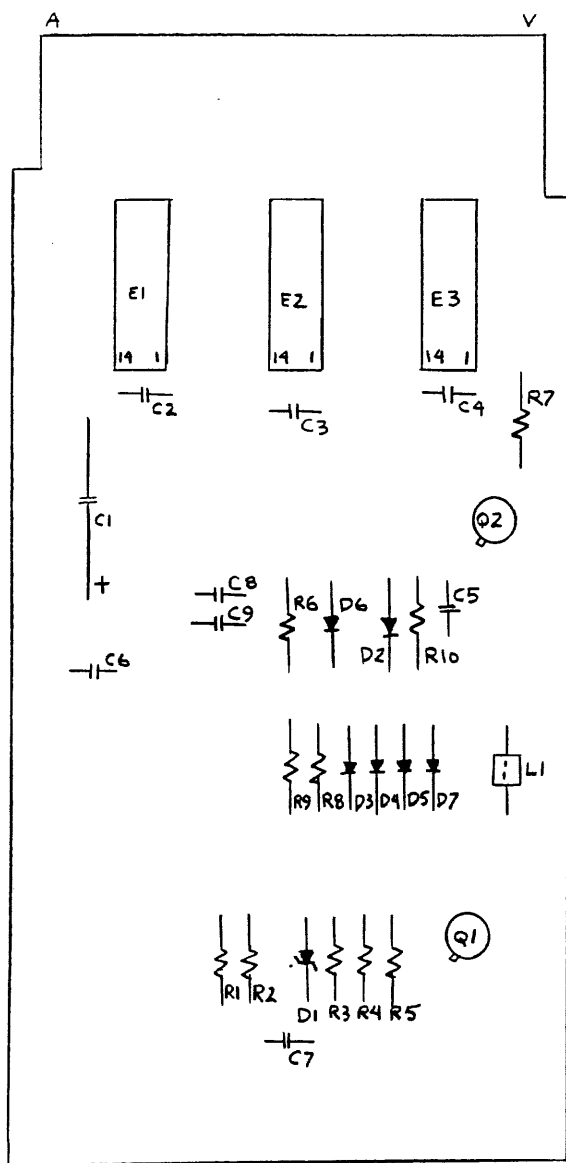
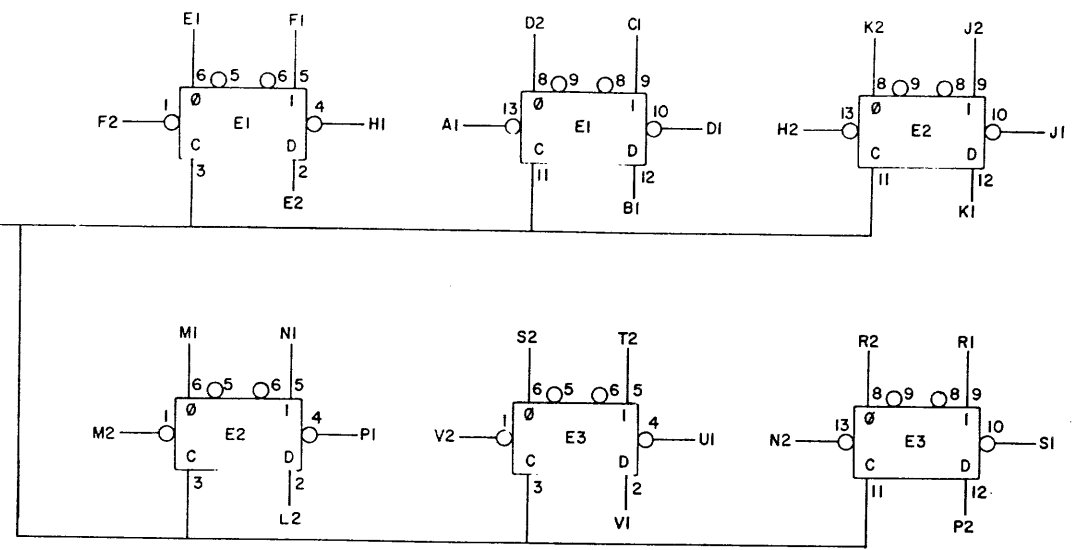
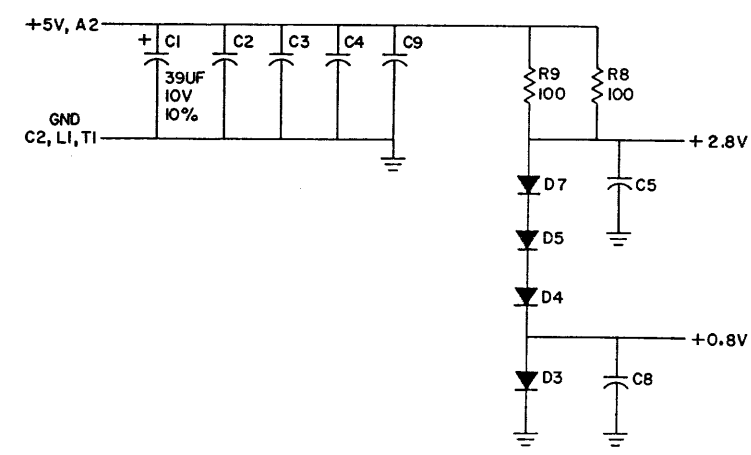
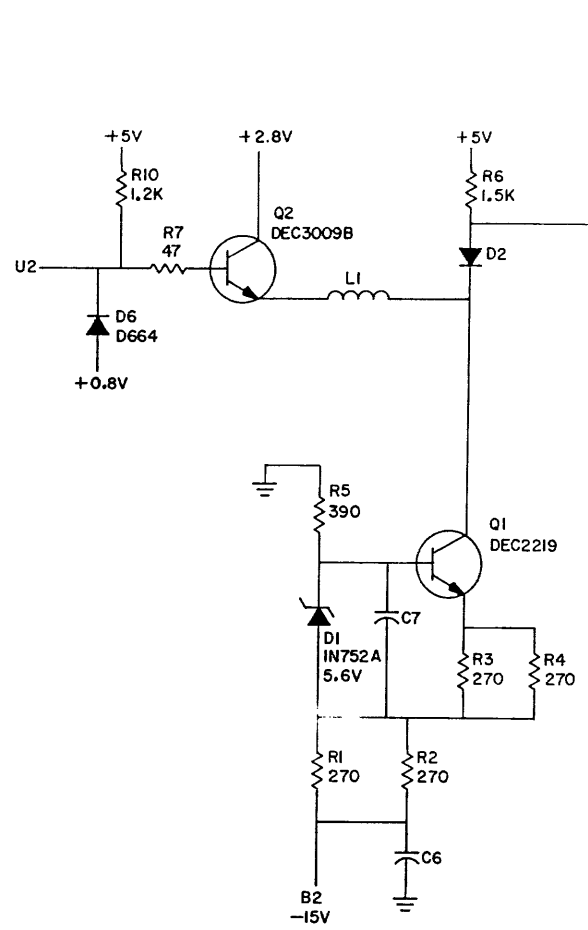


THIS SCHEMATIC IS FURNISHED ONLY FOR TEST AND MAINTENANCE PURPOSES. THE CIRCUITS ARE PROPRIETARY IN NATURE AND SHOULD BE TREATED ACCORDINGLY. COPYRIGHT 1970 BY DIGITAL EQUIPMENT CORPORATION



UNLESS OTHERWISE INDICATED:  
 CAPACITORS = .01UF, 100V, 20%  
 RESISTORS = 1/4W, 5%  
 DIODES = D662  
 ALL IC'S = DEC1074H74  
 PIN 7 = GND ON ALL IC'S  
 PIN 14 = +5V  
 L1 IS FERRITE BEAD DEC5209508



ITEM NO.	DEC PART NO.	DESCRIPTION	QTY.
21	9008337-06	HANDLE, FLIP CHIP - MAGENTA	1
20	9006732	EYELET #GS 4-7	2
19	5209508	FERRITE BEAD,	1
18	1910553	I.C. DEC1074H74	3
17	1501881	TRANSISTOR DEC 2219	1
16	1503100	TRANSISTOR DEC 3009B	1
15	1301972	RES. 270, 1/4W, 5%	4
14	1301320	RES. 1.2K, 1/4W, 5%	1
13	1300391	RES. 1.5K, 1/4W, 5%	1
12	1300309	RES. 390, 1/4W, 5%	1
11	1300229	RES. 100, 1/4W, 5%	2
10	1300202	RES. 47, 1/4W, 5%	1
9	1102808	DIODE 1N752A 5.6V, ZENER	1
8	1100114	DIODE D664	1
7	1100113	DIODE D662	5
6	1001610	CAP. .01UF, 100V, 20% DISC	8
5	1000076	CAP. 39UF, 10V, 10% S. TANT	1
4	5008535	ETCHED CIRCUIT BOARD	1
3	B-AH-M241-0-6	MODULE ECO HISTORY	
2	C-AH-M241-0-5	ASSY/DRILLING HOLE LAYOUT	
1	K-CO-M241-0-4	X-Y COORDINATE HOLE LOCATION	

REV.	CHG NO.	REV.
1	00001	A

DRN	DATE
WALSH MOORE	12/17/70
CHK'D	DATE
ENG	DATE
PROD	DATE

TRANSISTOR & DIODE CONVERSION CHART			
DEC	EIA	DEC	EIA
DEC3009B	2N3009	D664	IN3606
DEC2219	2N2219	D662	IN645
		IN752A	SAME



TITLE 6 TYPE D FLIP-FLOPS M241			
SIZE	CODE	NUMBER	REV
C	CS	M241-0-1	A
PRINTED CIRCUIT REV			B

DEC 108W 1/70  
 DPT 100