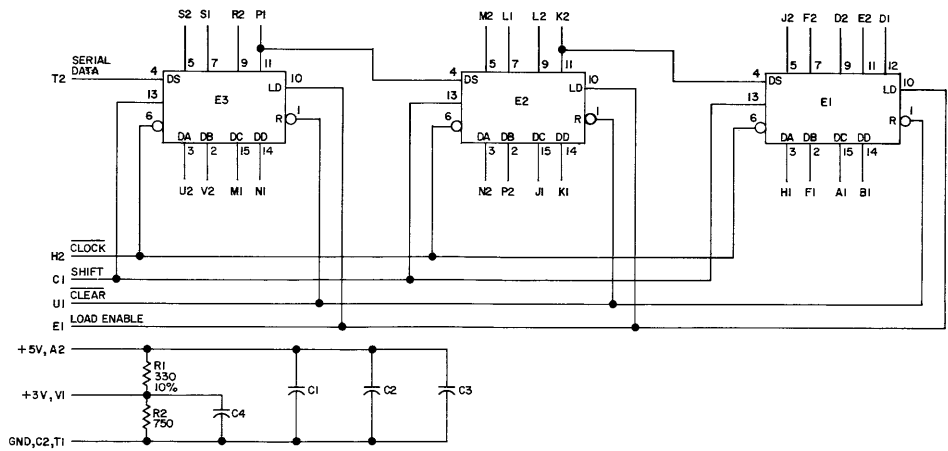


THIS SCHEMATIC IS FURNISHED ONLY FOR TEST AND MAINTENANCE PURPOSES. THE CIRCUITS ARE PROPRIETARY IN NATURE AND SHOULD BE TREATED ACCORDINGLY. COPYRIGHT 1969 BY DIGITAL EQUIPMENT CORPORATION



UNLESS OTHERWISE INDICATED:
 RESISTORS ARE 1/4W, 5%
 CAPACITORS ARE .01MFD, 100V, 20%
 IC'S ARE DEC8271
 PIN 8 ON EACH IC=GND
 PIN 16 ON EACH IC=+5V

REVISIONS
 CHK'D ENG NO. REV.

| | |
|-----------------|----------|
| DRN | DATE |
| <i>B. Kelly</i> | 12-16-69 |
| CHK'D | DATE |
| <i>J. Kelly</i> | 1-13-70 |
| ENG. | DATE |
| <i>J. Kelly</i> | 1-14-70 |
| APP'D. | DATE |
| <i>J. Kelly</i> | 2-17-70 |

| TRANSISTOR & DIODE CONVERSION CHART | | | |
|-------------------------------------|--|-----|--|
| DEC | | EIA | |
| | | | |
| | | | |
| | | | |
| | | | |

digital
 EQUIPMENT CORPORATION
 MAYNARD, MASSACHUSETTS

| | | | |
|--------------------------------|------|----------|------|
| TITLE DISK SHIFT REGISTER M233 | | | |
| SIZE | CODE | NUMBER | REV. |
| B | CS | M233-0-1 | |
| PRINTED CIRCUIT REV. | | | |
| A | | | |