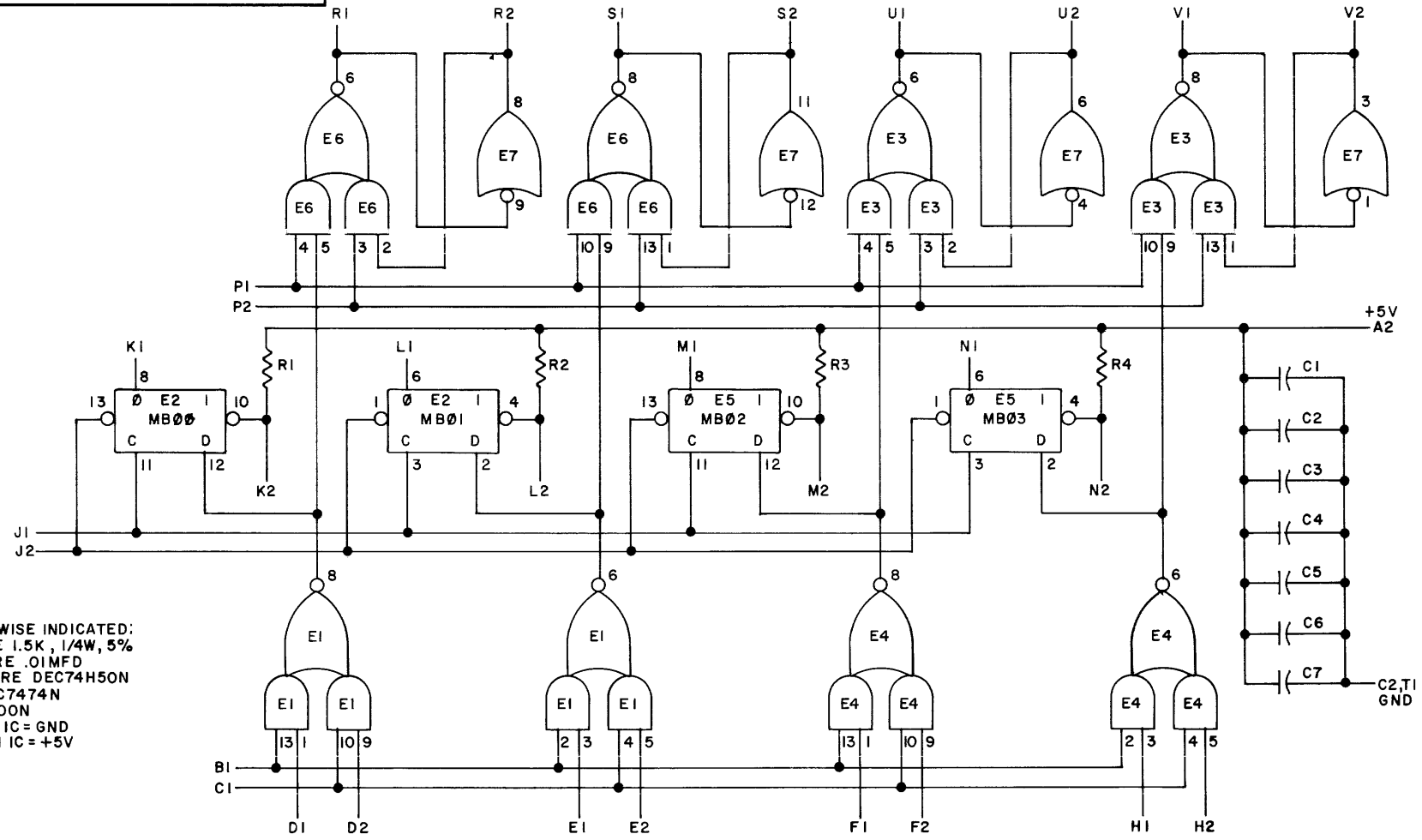


|      |   |      |    |        |          |
|------|---|------|----|--------|----------|
| SIZE | B | CODE | CS | NUMBER | M223-0-1 |
| REV  | C |      |    |        |          |

THIS SCHEMATIC IS FURNISHED ONLY FOR TEST AND MAINTENANCE PURPOSES. THE CIRCUITS ARE PROPRIETARY IN NATURE AND SHOULD BE TREATED ACCORDINGLY. COPYRIGHT 1969 BY DIGITAL EQUIPMENT CORPORATION



UNLESS OTHERWISE INDICATED:  
 RESISTORS ARE 1.5K, 1/4W, 5%  
 CAPACITORS ARE .01MFD  
 E1, E3, E4, E6 ARE DEC74H50N  
 E2, E5 ARE DEC7474N  
 E7 IS DEC74HOON  
 PIN 7 ON EACH IC = GND  
 PIN 14 ON EACH IC = +5V

M223-2

|  |                       |              |                                     |     |  |       |                        |      |          |        |
|--|-----------------------|--------------|-------------------------------------|-----|--|-------|------------------------|------|----------|--------|
| REVISIONS<br>CHK CHG NO. REV. C<br>5/00001 | DRN. <i>M. Keller</i> | DATE 5-7-69  | TRANSISTOR & DIODE CONVERSION CHART |     |  | TITLE | MA MB REGISTER M223    |      |          |        |
|  | CHK'D <i>G. Young</i> | DATE 5-8-69  | DEC                                 | EIA |  | DEC   | EIA                    | SIZE | CODE     | NUMBER |
|  | ENG. <i>DC Conner</i> | DATE 7/17/69 |                                     |     |  |       | B                      | CS   | M223-0-1 | C      |
|  | PROD.                 | DATE         |                                     |     |  |       | PRINTED CIRCUIT REV. B |      |          |        |

DEC FORM NO. DRB 102

DIST 324, 434, 435<sup>2</sup> 4 PINK