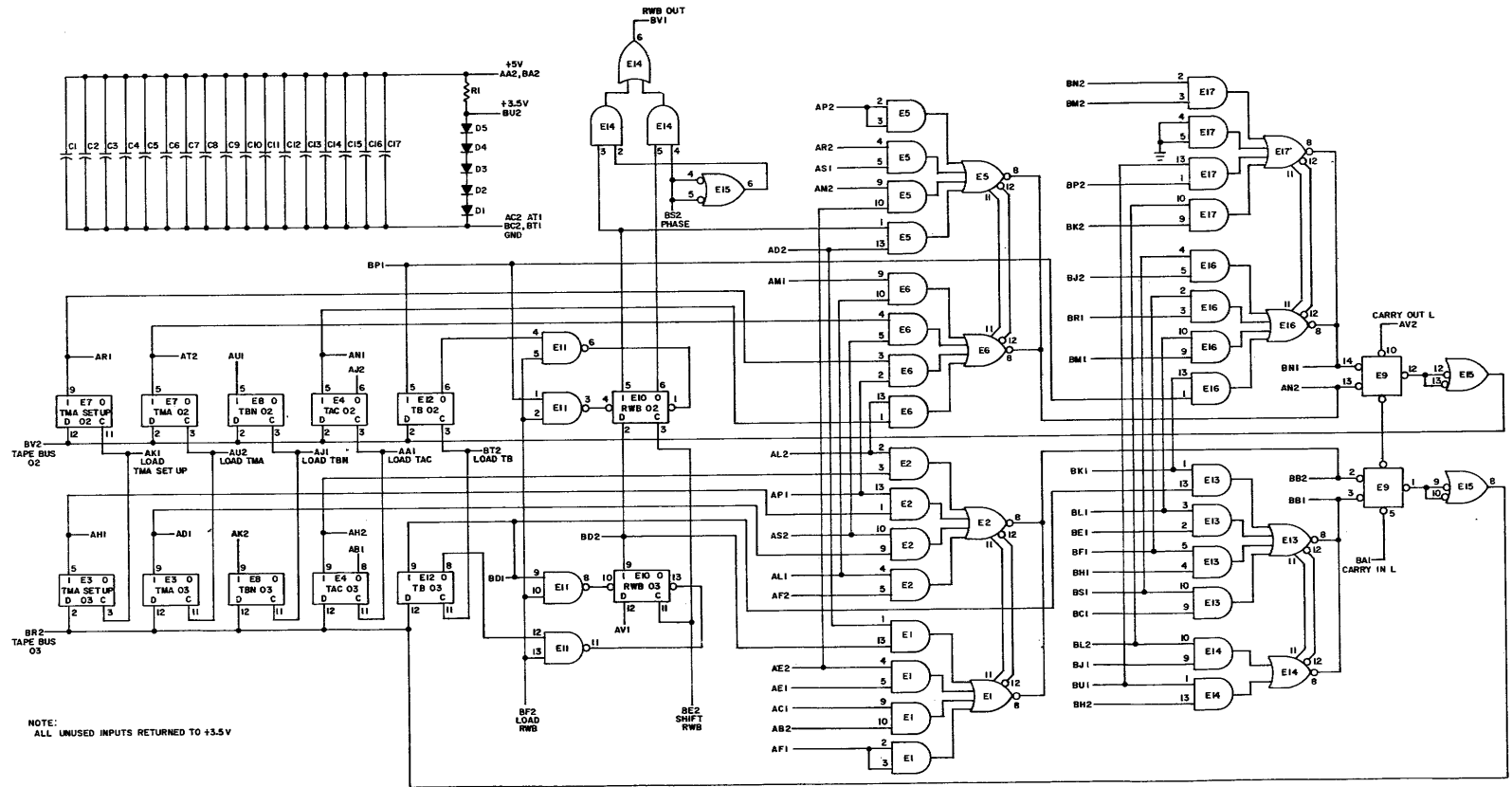


THIS SCHEMATIC IS FURNISHED ONLY FOR TEST AND MAINTENANCE PURPOSES. THE CIRCUITS ARE PROPRIETARY IN NATURE AND SHOULD BE TREATED ACCORDINGLY. COPYRIGHT 1966 BY DIGITAL EQUIPMENT CORPORATION



NOTE:
 ALL UNUSED INPUTS RETURNED TO +3.5V

D1-D5	DIODE D662	I100113
E14	INTEGRATED CKT. DEC3N50N	190588D
E1E2, E5, E6, E13, E16, E17	INTEGRATED CKT. DEC3A55N	190568E
E11, E15	INTEGRATED CKT. DEC3A00M	190557S
E9	INTEGRATED CKT. DEC7482M	1905584
E3, E4, E7, E8, E10, E12	INTEGRATED CKT. DEC7474M	1905547
M1	RES. 220 1/4W 5% CC	1300971
C1 - C17	CAP. .01 MFD 100V 20% DISC	1001610
	PARTS LIST	APL M222-0-0
	REFERENCE DESIGNATION	PART NO.

DATE: 11/22/64 BY: J. J. ... CHECKED: ... DESIGNED: ...	TRANSMITTER & DIODE CONVERSION CHART DEC: EA: DEC: EA:		TITLE LINC TAPE REGISTER M222	
	EQUIPMENT NUMBER 0 CS M222-0-1		SIZE CODE 10	
DRAWN: ... CHECKED: ...		PUBLISHED CIRCUIT SET: []		REV. A