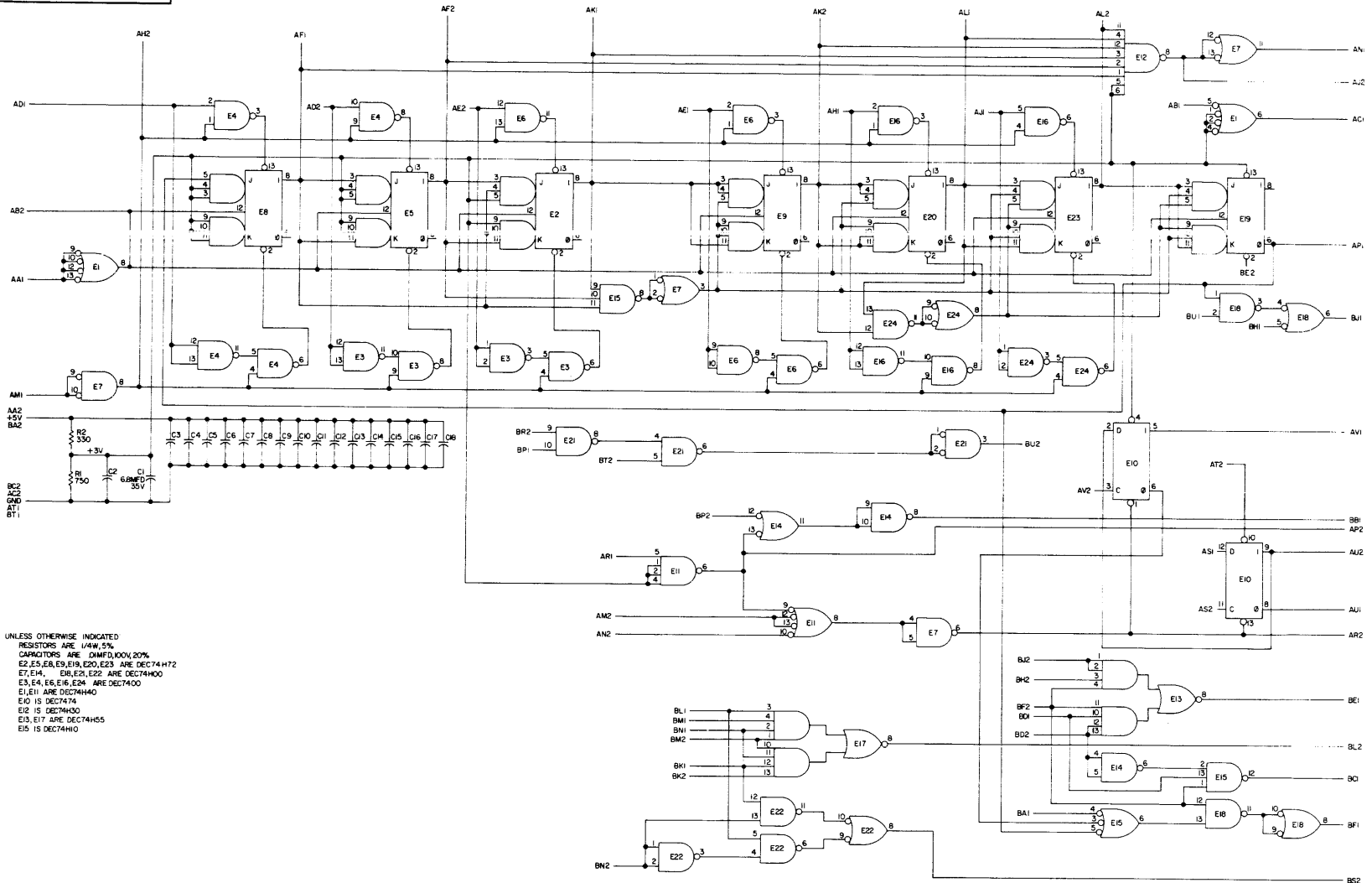


THIS SCHEMATIC IS FURNISHED ONLY FOR TEST AND MAINTENANCE PURPOSES. THE CIRCUITS ARE PROPRIETARY IN NATURE AND SHOULD BE TREATED ACCORDINGLY. COPYRIGHT 1949 BY DIGITAL EQUIPMENT CORPORATION.



UNLESS OTHERWISE INDICATED
 RESISTORS ARE 1/4W, 5%
 CAPACITORS ARE .01MFD, 50V
 E2, E3, E4, E9, E18, E20, E23 ARE DEC74H72
 E7, E14, E18, E21, E22 ARE DEC74H00
 E3, E4, E6, E16, E24 ARE DEC7400
 E1, E11 ARE DEC74H40
 E10 IS DEC7474
 E12 IS DEC74H30
 E13, E17 ARE DEC74H55
 E15 IS DEC74H10

M219-2

REVISIONS 1 2 3 4 5 6 7 8 9 10 11 12 13 14 15 16 17 18 19 20 21 22 23 24 25 26 27 28 29 30 31 32 33 34 35 36 37 38 39 40 41 42 43 44 45 46 47 48 49 50	DATE 10-3-63	TRANSISTOR & DIODE CONVERSION CHART DEC E1A DEC E1A	TITLE STEP COUNTER & CONTROL M219	
	DESIGNED BY DATE 7-10-63	CHECKED BY DATE 7-10-63	CORPORATION MODEL NO. M219-01	DRAWING NO. M219-01
	DRAWN BY DATE 7-10-63	APPROVED BY DATE 7-10-63	EQUIPMENT CORPORATION	REVISION NUMBER 1
	MANUFACTURED BY DATE 7-10-63	TESTED BY DATE 7-10-63	PRINTED CIRCUIT REV 1	REV A