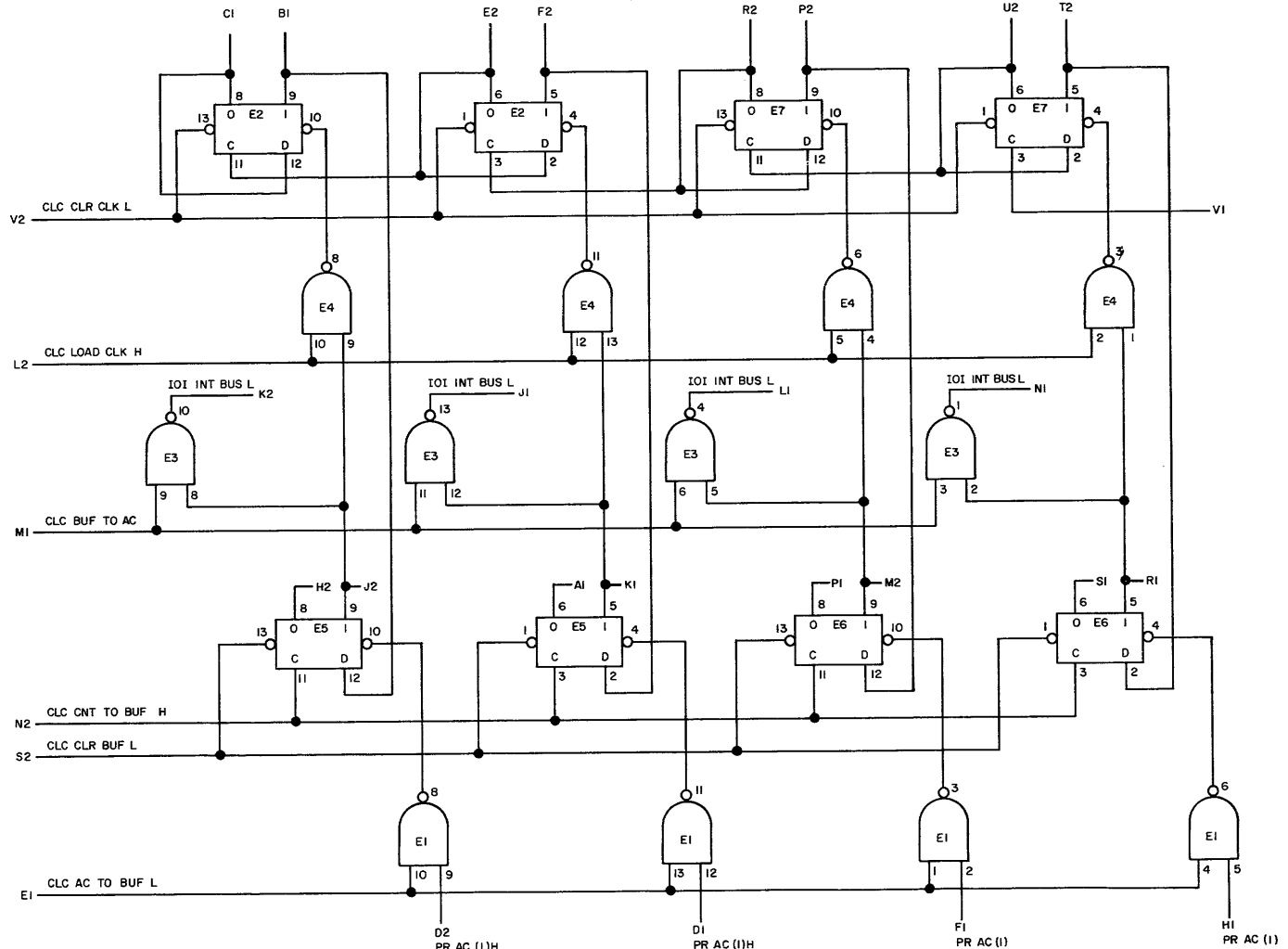
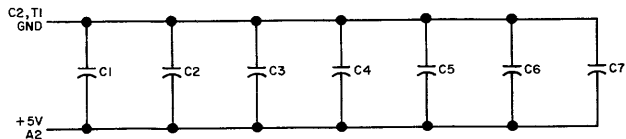


THIS SCHEMATIC IS FURNISHED ONLY FOR TEST AND MAINTENANCE PURPOSES. THE CIRCUITS ARE PROPRIETARY IN NATURE AND SHOULD BE TREATED ACCORDINGLY. COPYRIGHT 1969 BY DIGITAL EQUIPMENT CORPORATION



UNLESS OTHERWISE INDICATED:

PIN 7 ON EACH IC = GND
 PIN 14 ON EACH IC = +5V
 CAPACITORS ARE .01MFD, 100V, 20%, DISC
 E2, E5, E6 AND E7 ARE DEC7474N
 E1 AND E4 ARE DEC7400N
 E3 IS A DEC7401N



REVISIONS	CHK	CHG	NO	REV.

DRN	DATE
<i>BUTLER</i>	<i>4/15/69</i>
CHKD	DATE
<i>R. Adelle</i>	<i>4/16/69</i>
ENG	DATE
<i>R. Schweigler</i>	<i>4/22/69</i>
PRDD	DATE
<i>R. Schweigler</i>	<i>4/29/69</i>

TRANSISTOR & DIODE CONVERSION CHART			
DEC	EIA	DEC	EIA

digital
 EQUIPMENT CORPORATION
 MAYNARD, MASSACHUSETTS

TITLE	CLOCK REGISTER M217		
SIZE	CODE	NUMBER	REV.
C	CS	M217-0-1	
PRINTED CIRCUIT REV.			A

REV. NUMBER M217-0-1 SIZE CODE CS