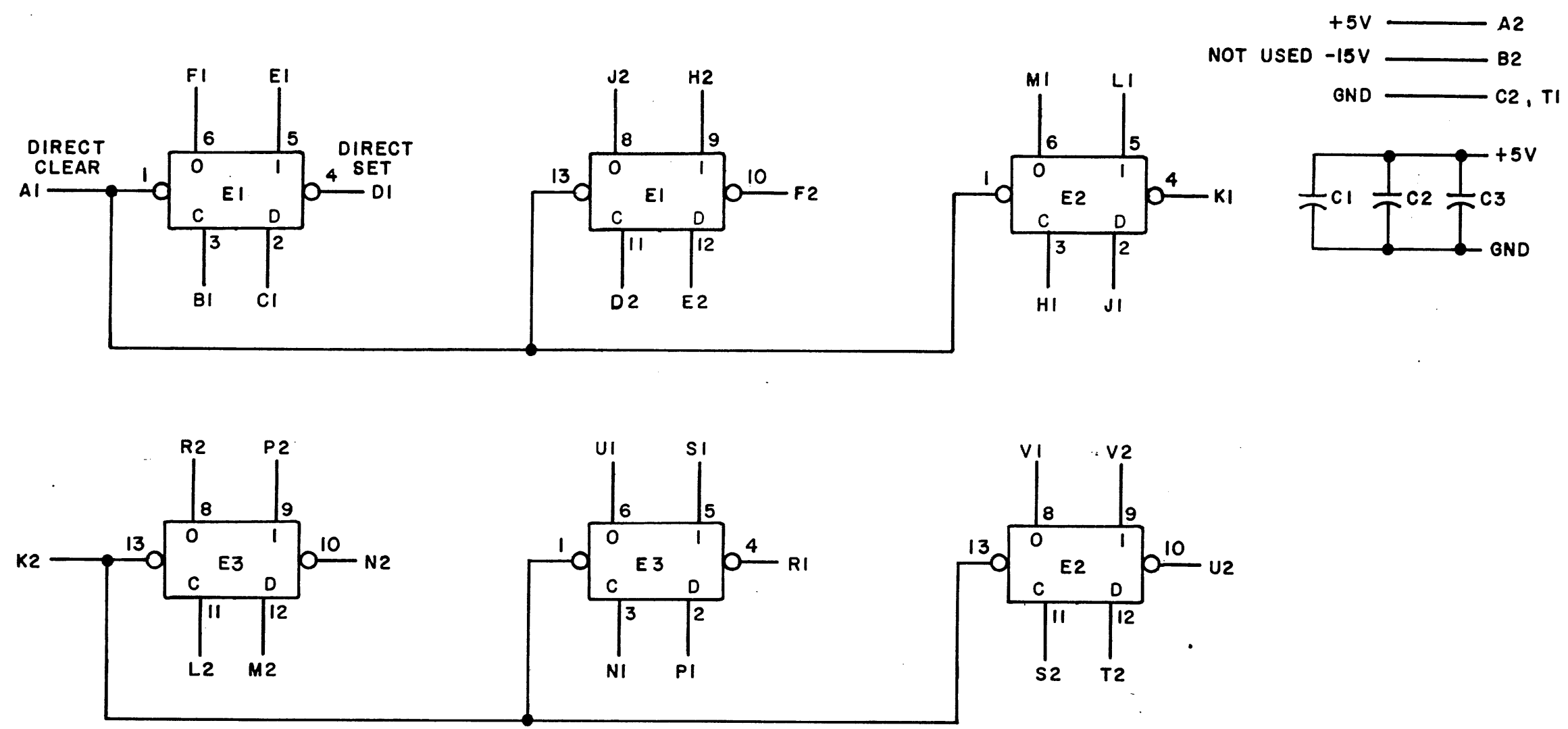


THIS SCHEMATIC IS FURNISHED ONLY FOR TEST AND MAINTENANCE PURPOSES. THE CIRCUITS ARE PROPRIETARY IN NATURE AND SHOULD BE TREATED ACCORDINGLY. COPYRIGHT 1967 BY DIGITAL EQUIPMENT CORPORATION



NOTES:
 PIN 7 ON EACH IC = GND
 PIN 14 ON EACH IC = +5V

E1 THRU E3	INTEGRATED CKT. DEC7474N	1905547
C1 THRU C3	CAP. .01MFD 100V 20% DISC	1001610
	PARTS LIST	A-PL-M216-0-0
REFERENCE DESIGNATION	DESCRIPTION	PART NO.

REVISIONS CHG NO. REV. A 6806 MM 00001 B	DRN. <i>M. Haller</i>	DATE 4-15-67	TRANSISTOR & DIODE CONVERSION CHART				digital EQUIPMENT CORPORATION MAYNARD, MASSACHUSETTS	TITLE SIX FLIP-FLOPS M216			
	CHK'D <i>[Signature]</i>	DATE 4/26/67	DEC	EIA	DEC	EIA		SIZE B	CODE CS	NUMBER M216-0-1	REV. B
	ENG. <i>[Signature]</i>	DATE 4/21/67									
	PROD.	DATE									