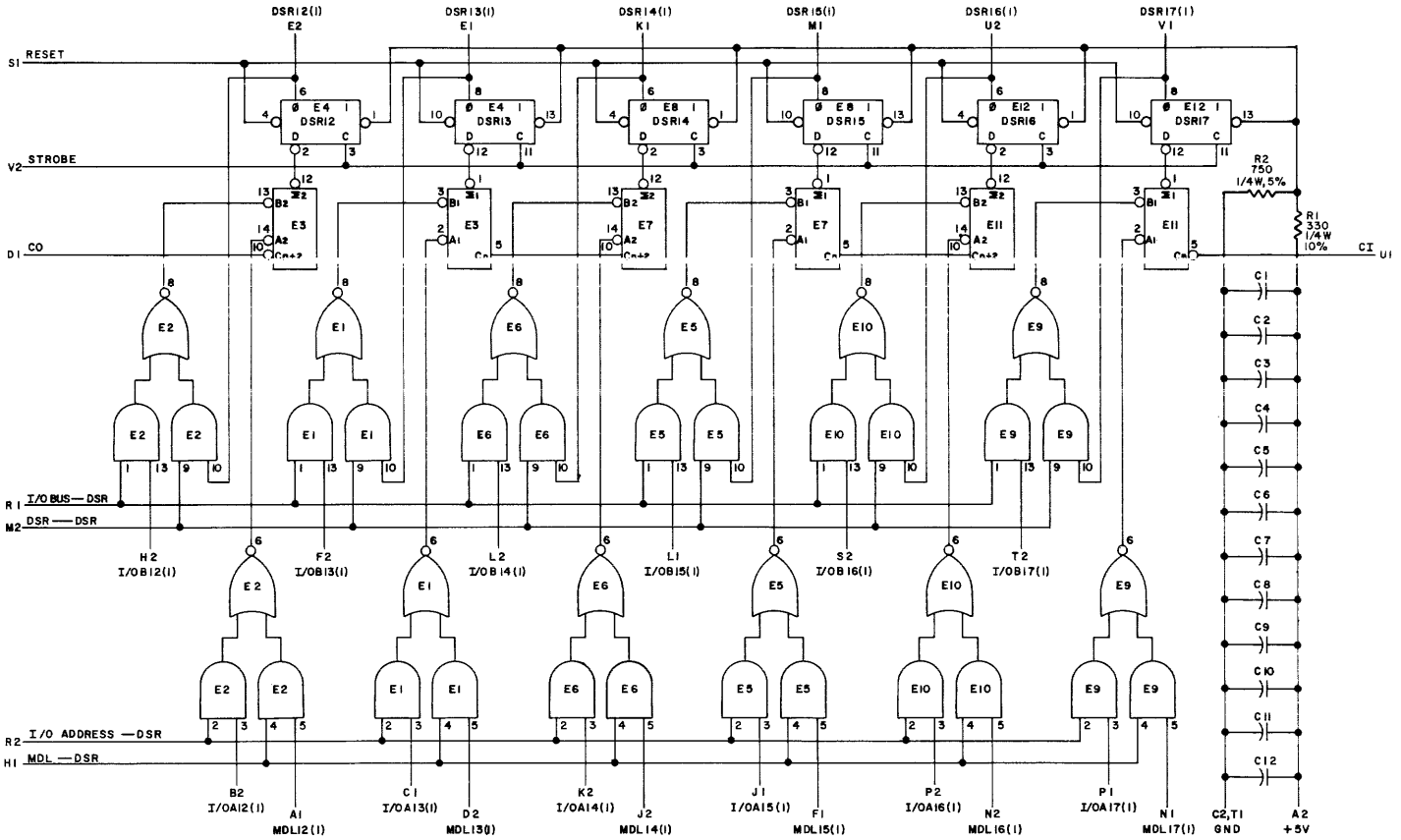


THIS SCHEMATIC IS FURNISHED ONLY FOR TEST AND MAINTENANCE PURPOSES. THE CIRCUITS ARE PROPRIETARY IN NATURE AND SHOULD BE TREATED ACCORDINGLY. COPYRIGHT 1968 BY DIGITAL EQUIPMENT CORPORATION.



UNLESS OTHERWISE INDICATED:
 PIN 7 ON EACH IC (EXCEPT E3, E7, E11) = GND
 PIN 14 ON EACH IC (EXCEPT E3, E7, E11) = +5V
 PIN 4 ON E3, E7, E11 = +5V
 PIN 11 ON E3, E7, E11 = GND
 E4, E8, E12 ARE DEC7474
 E3, E7, E11 ARE DEC7482
 E1, E2, E5, E6, E9, E10 ARE DEC 7450
 CAPACITORS ARE .01μf, 100V, 20%

REV.	CHG NO.	REV.
1	00001	B

DRN	DATE
CHD	DATE
ENG	DATE
PRD	DATE

TRANSISTOR & DIODE CONVERSION CHART			
DEC	EIA	DEC	EIA

digital
 EQUIPMENT CORPORATION
 MAYNARD, MASSACHUSETTS

TITLE		DATA STORAGE REGISTER	
NUMBER		M214-0-1	
SIZE	CODE	REV	B
C	CS		