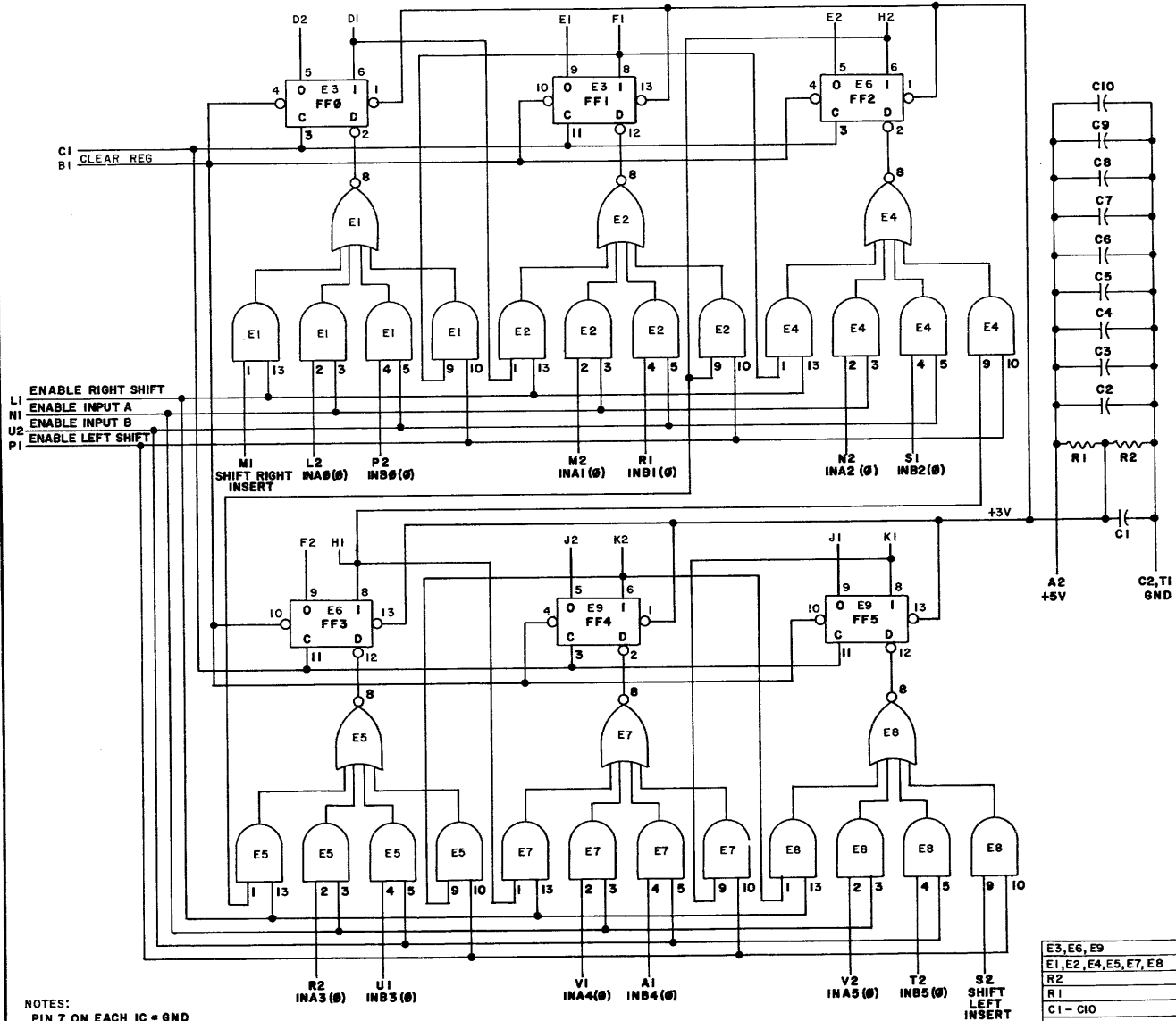
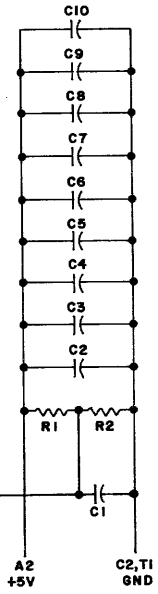


THIS SCHEMATIC IS FURNISHED ONLY FOR TEST AND MAINTENANCE PURPOSES. THE CIRCUITS ARE PROPRIETARY IN NATURE AND SHOULD BE TREATED ACCORDINGLY. COPYRIGHT 1967 BY DIGITAL EQUIPMENT CORPORATION



NOTES:
PIN 7 ON EACH IC = 0V
PIN 14 ON EACH IC = +5V



E3, E6, E9	INTEGRATED CKT. DEC7474N	I905547
E1, E2, E4, E5, E7, E8	INTEGRATED CKT. DEC7453N	I905582
R2	RES. 3K 1/4W 5% CC	I300432
R1	RES. 1.5K 1/4W 5% CC	I300391
C1 - C10	CAP. .01MFD 100V 20% DISC	I001610
	PARTS LIST	A-PL-M212-0-0
REFERENCE DESIGNATION	DESCRIPTION	PART NO.

REV.	CHG	NO	REV

DRN.	<i>M. Walker</i>	DATE	11-14-66
CHKD.	<i>R. Schuyler</i>	DATE	11-20-67
ENG.	<i>R. Schuyler</i>	DATE	(Page)
PROD.	2	DATE	

TRANSISTOR & DIODE CONVERSION CHART			
DEC	EIA	DEC	EIA

digital EQUIPMENT CORPORATION
MAYNARD, MASSACHUSETTS

TITLE: **6 BIT L-R SHIFT REGISTER M212**

SIZE	CODE	NUMBER	REV.
C	CS	M212-0-1	B

PRINTED CIRCUIT REV. B

REV. B
NUMBER M212-0-1
SIZE CODE CS

PINK DIST. 1324 494 435