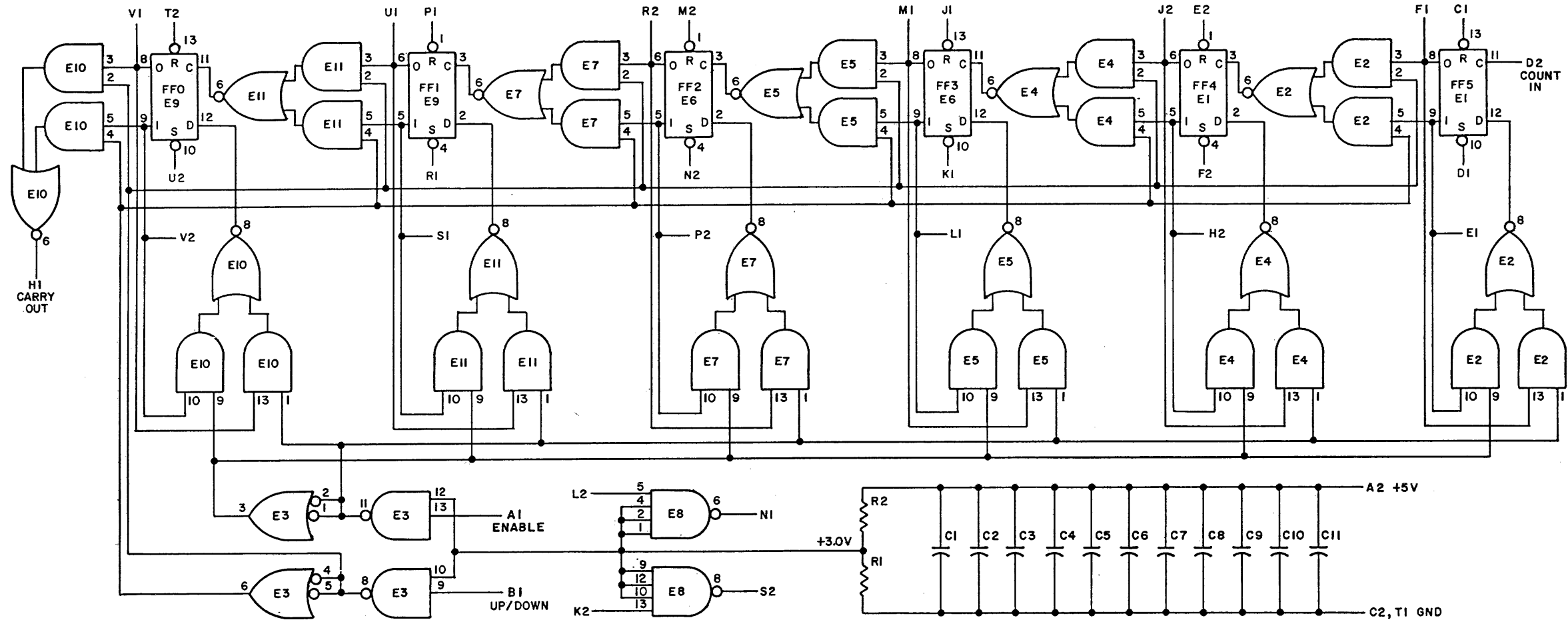


THIS SCHEMATIC IS FURNISHED ONLY FOR TEST AND MAINTENANCE PURPOSES. THE CIRCUITS ARE PROPRIETARY IN NATURE AND SHOULD BE TREATED ACCORDINGLY. COPYRIGHT 1967 BY DIGITAL EQUIPMENT CORPORATION



NOTES:  
 PIN 7 ON EACH IC = GND  
 PIN 14 ON EACH IC = +5V  
 DEC7451N MAY BE USED IN PLACE OF DEC7450N

E8	INTEGRATED CKT. DEC7440N	1905579
E3	INTEGRATED CKT. DEC7400N	1905575
E2, E4, E5, E7, E10, E11	INTEGRATED CKT. DEC7450N	1905580
E1, E6, E9	INTEGRATED CKT. DEC7474N	1905547
R2	RES. 3.3K 1/4W 5% CC	1300439
R1	RES. 7.5K 1/4W 5% CC	1301422
C1 THRU C11	CAP. .01MFD 100V 20% DISC	1001610
	PARTS LIST	A-PL-M211-0-0
REFERENCE DESIGNATION	DESCRIPTION	PART NO.
PARTS LIST		

REVISIONS CHK'G NO. REV. 0001 A 0002 C	DRN. <i>M. Miller</i> DATE <i>10-12-67</i> CHK'D ENG. <i>M. Miller</i> PROD. DATE	DATE DATE DATE	TRANSISTOR & DIODE CONVERSION CHART DEC    EIA    DEC    EIA	<b>digital</b> EQUIPMENT CORPORATION MAYNARD, MASSACHUSETTS	TITLE <b>BINARY UP/DOWN COUNTER M211</b>	SIZE CODE C    CS    M211-0-1	NUMBER REV. C
---	---	----------------------	---	---	---	----------------------------------	------------------

DEC FORM NO. DRC 102

REV. C  
NUMBER  
M211-0-1  
SIZE CODE  
CS