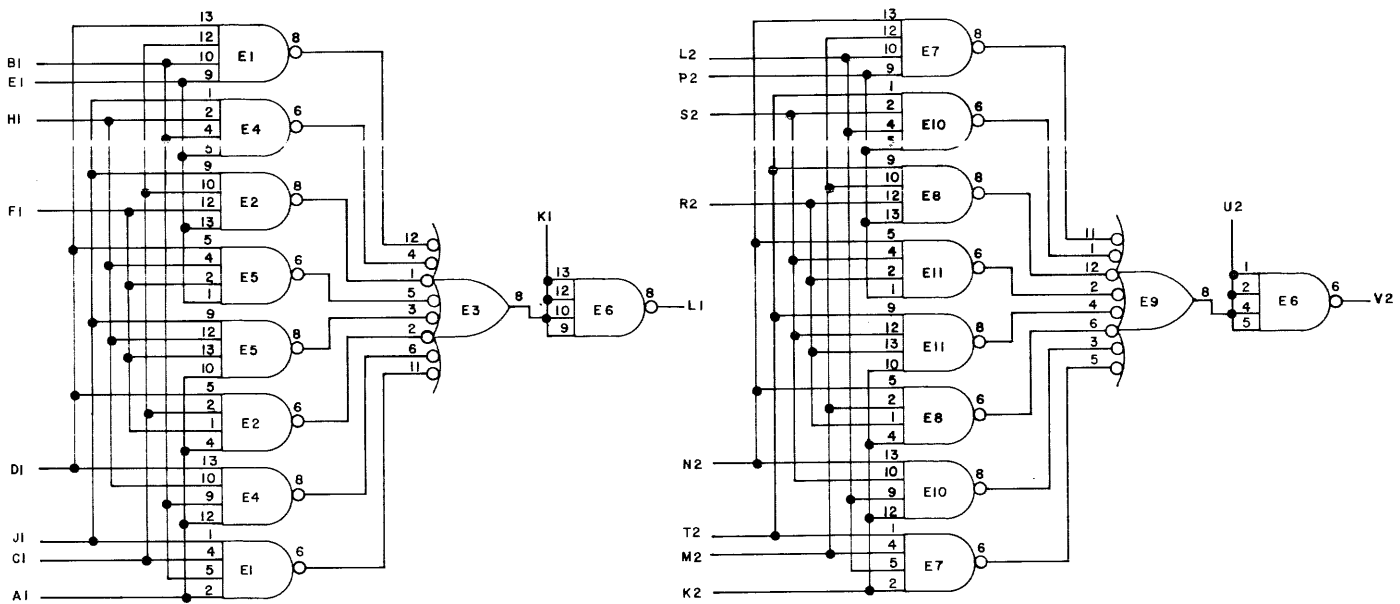
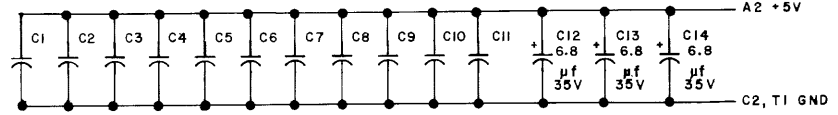


THIS SCHEMATIC IS FURNISHED ONLY FOR TEST AND MAINTENANCE PURPOSES. THE CIRCUITS ARE PROPRIETARY IN NATURE AND SHOULD BE TREATED ACCORDINGLY. COPYRIGHT 1970 BY DIGITAL EQUIPMENT CORPORATION



UNLESS OTHERWISE INDICATED:
 CAPACITORS ARE .01 μf, 100V, 20 %
 PIN 7 ON EACH IC = GND
 PIN 14 ON EACH IC = +5V
 E1, E2, E4, E5, E6, E7, E8, E10, & E11, ARE DEC74H20N
 E3, & E9 ARE DEC74H30N
 USE M162 ETCH BOARD



REVISIONS CHK (CIR NO. REV.)	DRN. <i>Nancy Moore</i>	DATE <i>2/13/70</i>	TRANSISTOR & DIODE CONVERSION CHART				TITLE PARITY CIRCUIT M182 SIZE CODE NUMBER REV. B CS M182-0-1 PRINTED CIRCUIT REV.
	CHK'D <i>Dawall</i>	DATE <i>3-9-70</i>	DEC	EIA	DEC	EIA	
	ENG. <i>H. B. ...</i>	DATE <i>5/17/70</i>					
	PROD.	DATE					