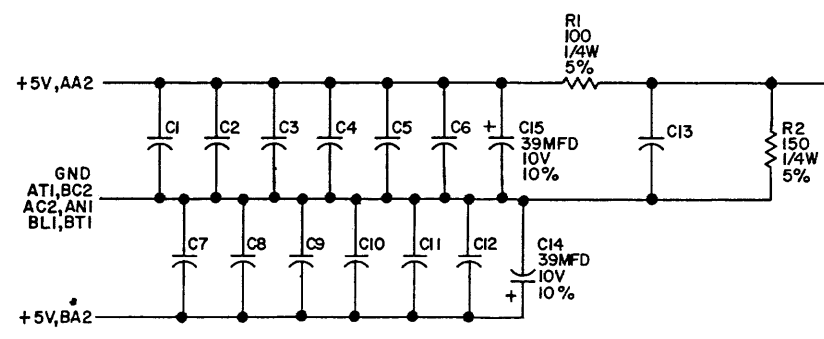
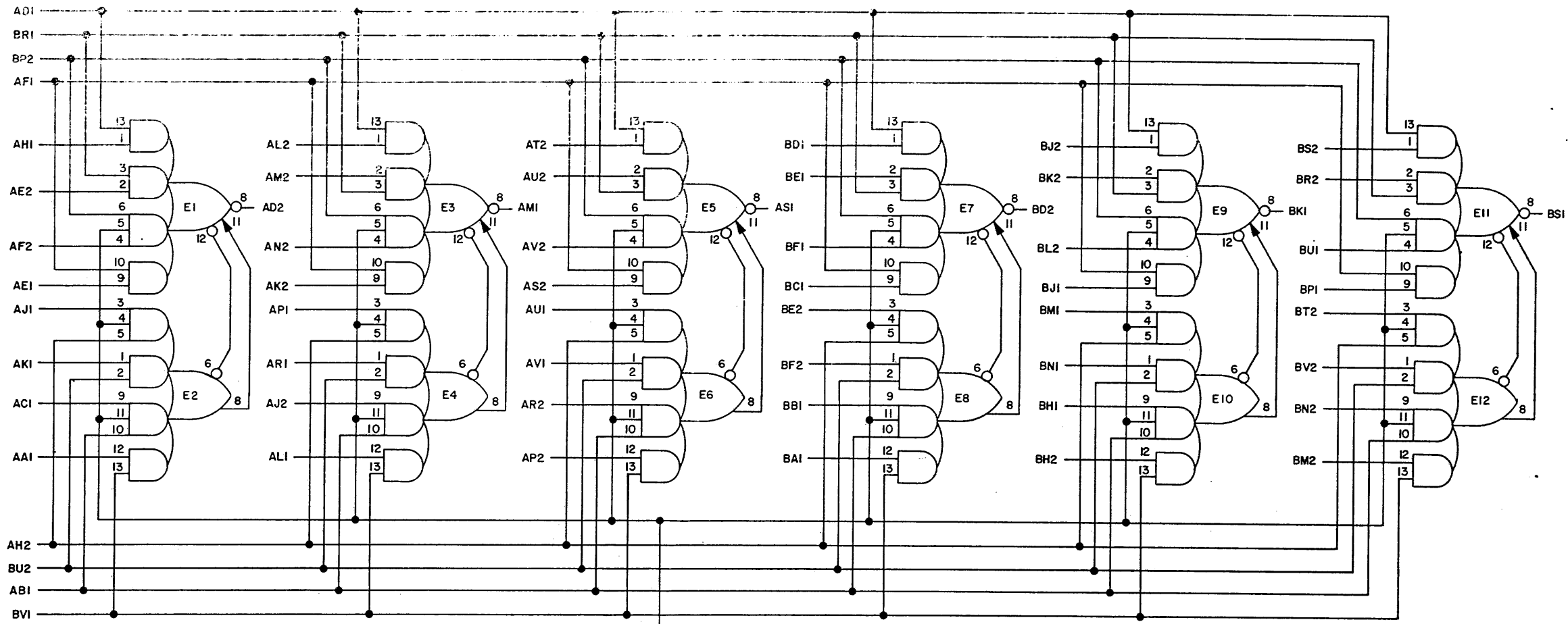


THIS SCHEMATIC IS FURNISHED ONLY FOR TEST AND MAINTENANCE PURPOSES. THE CIRCUITS ARE PROPRIETARY IN NATURE AND SHOULD BE TREATED ACCORDINGLY. COPYRIGHT 1970 BY DIGITAL EQUIPMENT CORPORATION



UNLESS OTHERWISE INDICATED:
 CAPACITORS ARE .01MFD, 100V, 20%
 E2, E4, E6, E8, E10, E12 ARE DEC1074H62
 E1, E3, E5, E7, E9, E11 ARE DEC1074H53
 PIN 7 ON EACH IC = GND
 PIN 14 ON EACH IC = +5V

REVISIONS CHK CHG NO. REV [Signature] 00001 B	DRN. ALLAN RITCEY DATE 1-20-70	TRANSISTOR & DIODE CONVERSION CHART DEC EIA DEC EIA				TITLE digital 8X6 DATA MIXER MI78 EQUIPMENT CORPORATION MAYNARD, MASSACHUSETTS
	ENG. [Signature] DATE 7-7-70	DATE 7-16-70	DATE 7-7-70	DATE 10/20/70	SIZE CODE C CS	

DEC FORM NO. DRC 102

SIZE CODE C CS
 NUMBER MI78-0-1
 REV. B