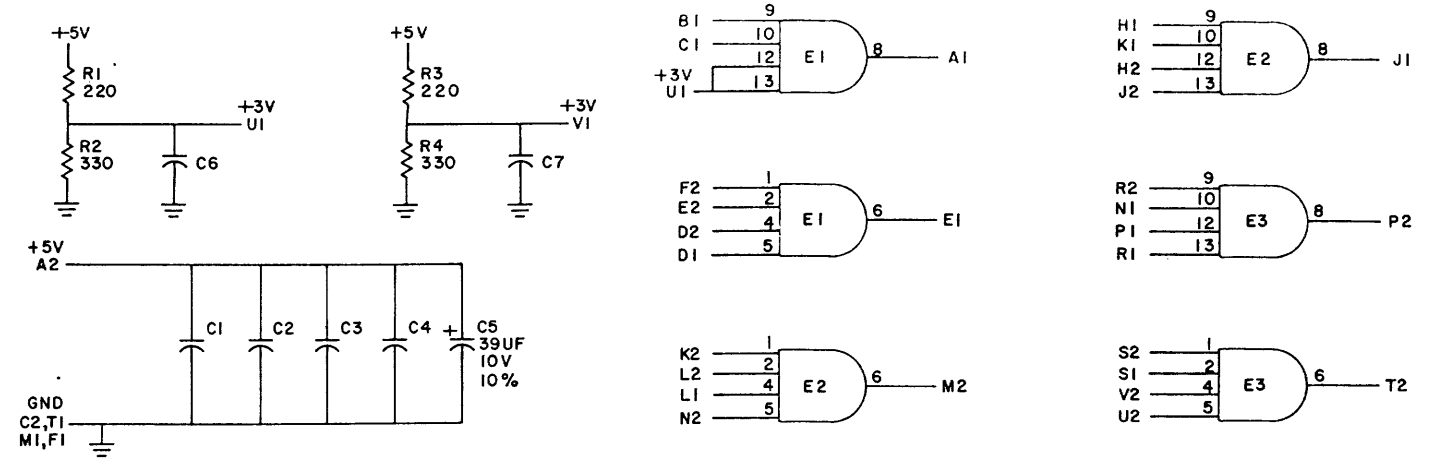
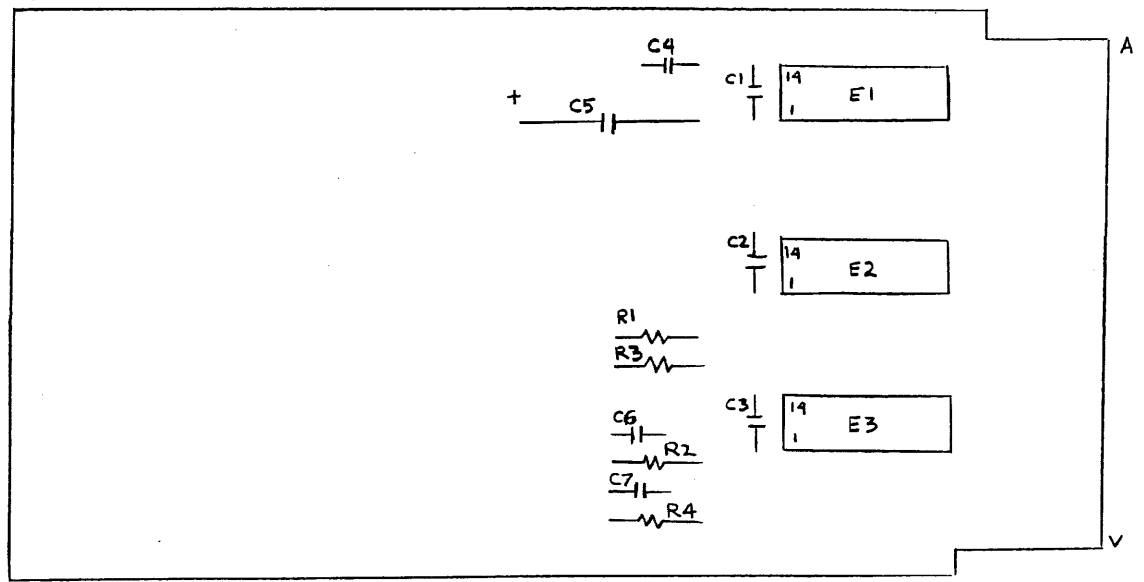


THIS SCHEMATIC IS FURNISHED ONLY FOR TEST AND MAINTENANCE PURPOSES. THE CIRCUITS ARE PROPRIETARY IN NATURE AND SHOULD BE TREATED ACCORDINGLY. COPYRIGHT 1970 BY DIGITAL EQUIPMENT CORPORATION



UNLESS OTHERWISE INDICATED:
 RESISTORS ARE 1/4 W, 5%
 CAPACITORS ARE .01UF, 100V, 20 %
 IC'S ARE DEC1074H21
 PIN 7 = GND
 PIN 14 = +5V



ITEM NO.	DEC PART NO.	DESCRIPTION	QTY.
11	9008337-06	HANDLE, FLIP CHIP - MAGENTA	1
10	9006732	EYELET #GS 4-7	2
9	1910467	I.C. DEC1074H21	3
8	1300295	RES. 330, 1/4W, 5%	2
7	1300271	RES. 220, 1/4W, 5%	2
6	1001610	CAP. .01UF, 100V, 20%	6
5	1000076	CAP. 39UF, 10V, 10%	1
4	5009330	ETCHED CIRCUIT BOARD	1
3	B-MH-M177-0-6	MODULE ECO HISTORY	
2	C-AH-M177-0-5	ASSY/DRILLING HOLE LAYOUT	
1	K-CO-M177-0-4	X-Y COORDINATE HOLE LOCATION	

PARTS LIST

REVISIONS CHK CHG NO REV 7 00001 A	DRY CHK'D ENG PROD	DATE 12/3/70 DATE 12/7/70 DATE 12/7/70 DATE	TRANSISTOR & DIODE CONVERSION CHART DEC EIA DEC EIA	digital EQUIPMENT CORPORATION MAYNARD, MASSACHUSETTS	TITLE FIVE 4 INPUT AND GATES M177	SIZE CODE NUMBER C CS M177-0-1	REV. A
--	-----------------------------	---	--	---	---	-----------------------------------	-----------

DEC FORM NC
 DEC 10

REV. A
 NUMBER
 M177-0-1
 SIZE CODE
 C CS

Print