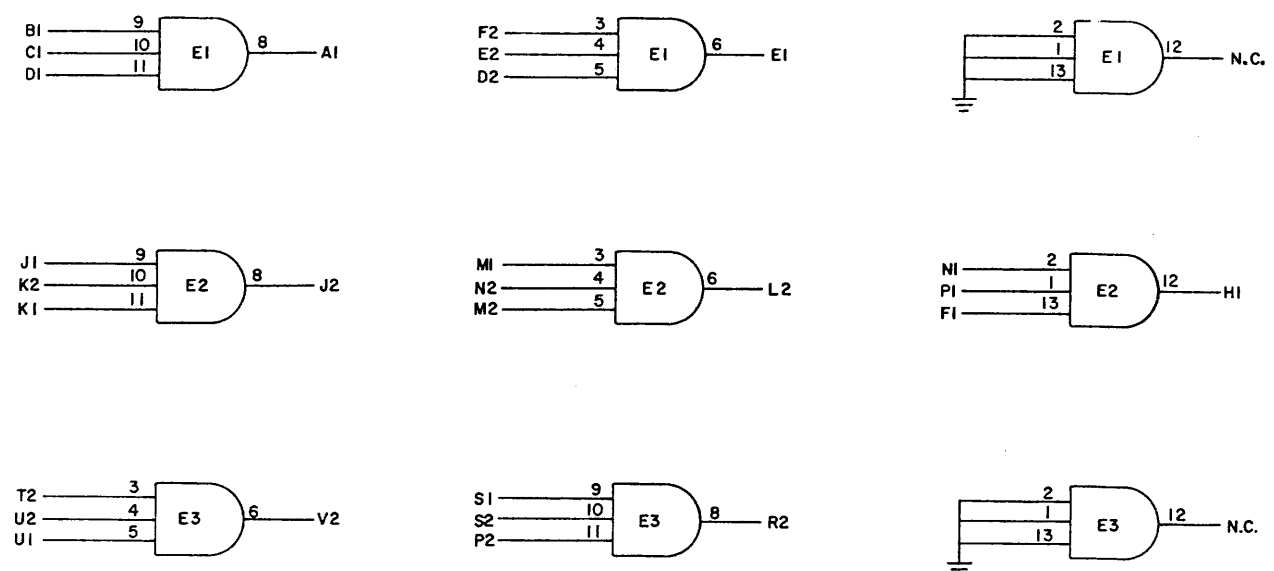
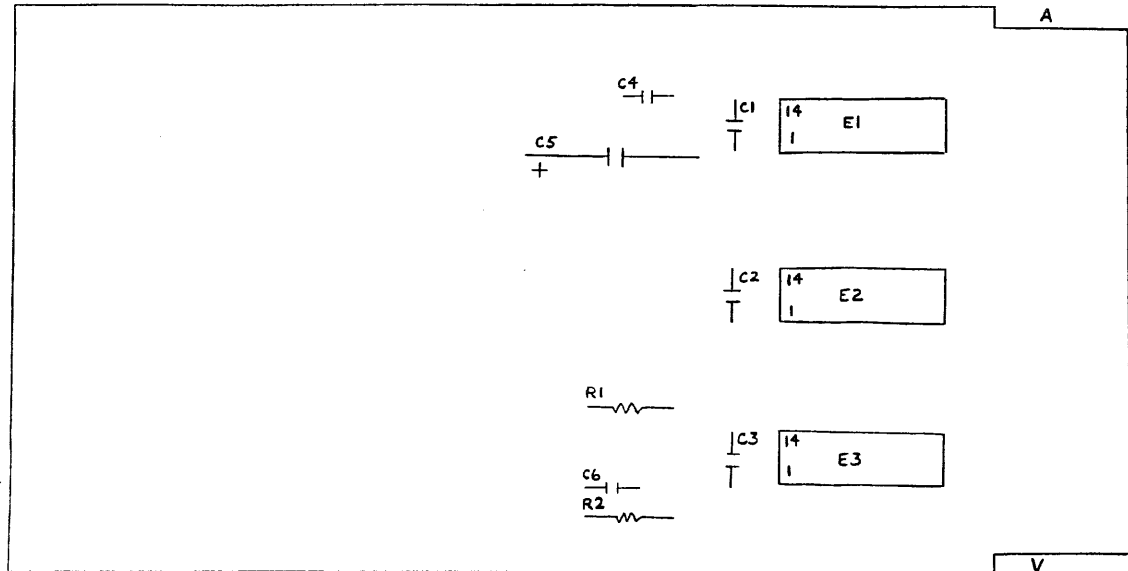
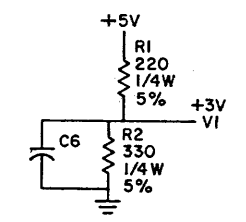
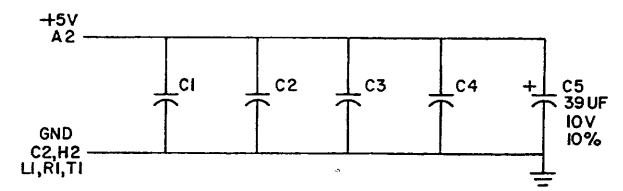


THIS SCHEMATIC IS FURNISHED ONLY FOR TEST AND MAINTENANCE PURPOSES. THE CIRCUITS ARE PROPRIETARY IN NATURE AND SHOULD BE TREATED ACCORDINGLY. COPYRIGHT 1970 BY DIGITAL EQUIPMENT CORPORATION



UNLESS OTHERWISE INDICATED:
 CAPACITORS ARE .01UF, 100V, 20%
 IC'S ARE 1074H11
 PIN 7 = GND ON ALL IC'S
 PIN 14 = +5V



ITEM NO.	D&C PART NO.	DESCRIPTION	QTY.
11.	9008337-06	HANDLE, FLIP CHIP - MAGENTA	1
10	9006732	EYELET #GS 4-7	2
9	1910465	I.C. DEC1074H11	3
8	1300295	RES. 330, 1/4W, 5%	1
7	1300271	RES. 220, 1/4W, 5%	1
6	1001610	CAP. .01UF, 100V, 20% DISC	5
5	1000076	CAP. 39UF, 10V, 10% S. TANT	1
4	5009290	ETCHED CIRCUIT BOARD	1
3	E-PH-M175-0-6	MODULE ECO HISTORY	
2	C-AH-M175-0-5	ASSY/DRILLING HOLE LAYOUT	
1	K-CQ-M175-0-4	X-Y COORDINATE HOLE LOCATION	

PARTS LIST

REV	CHG	NO	REV
1	W	00001	A

DRN	DATE
J. COOPER	12/1/70
CHK'D	DATE
ENG	DATE
PROD	DATE

TRANSISTOR & DIODE CONVERSION CHART			
DEC	EIA	DEC	EIA

digital EQUIPMENT CORPORATION
 MAYNARD, MASSACHUSETTS

TITLE: SEVEN
 3 INPUT AND GATES M175

SIZE CODE NUMBER: C CS M175-0-1
 REV A

PRINTED CIRCUIT REV: A

DEC FORM NO. DRC 102

REV A
 NUMBER M175-0-1
 SIZE CODE C CS