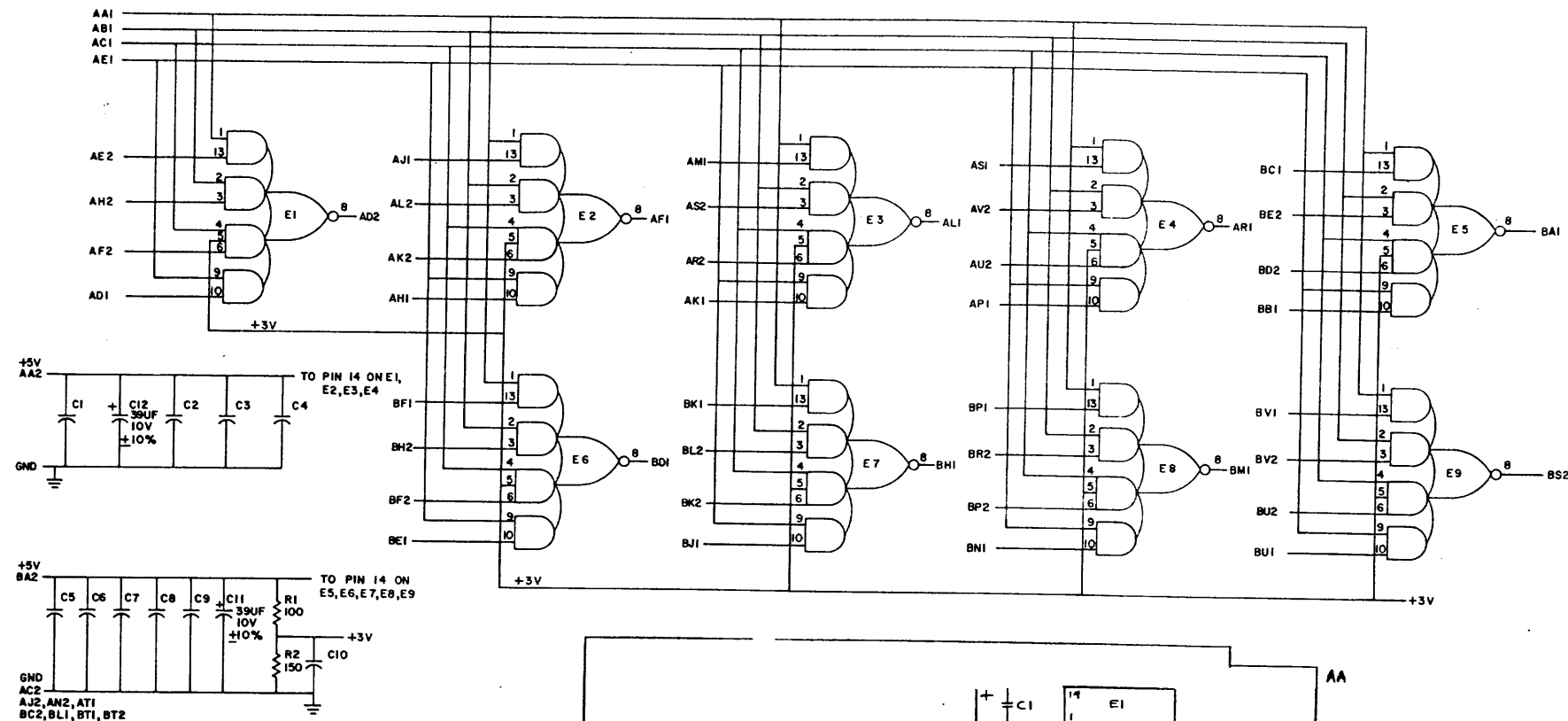
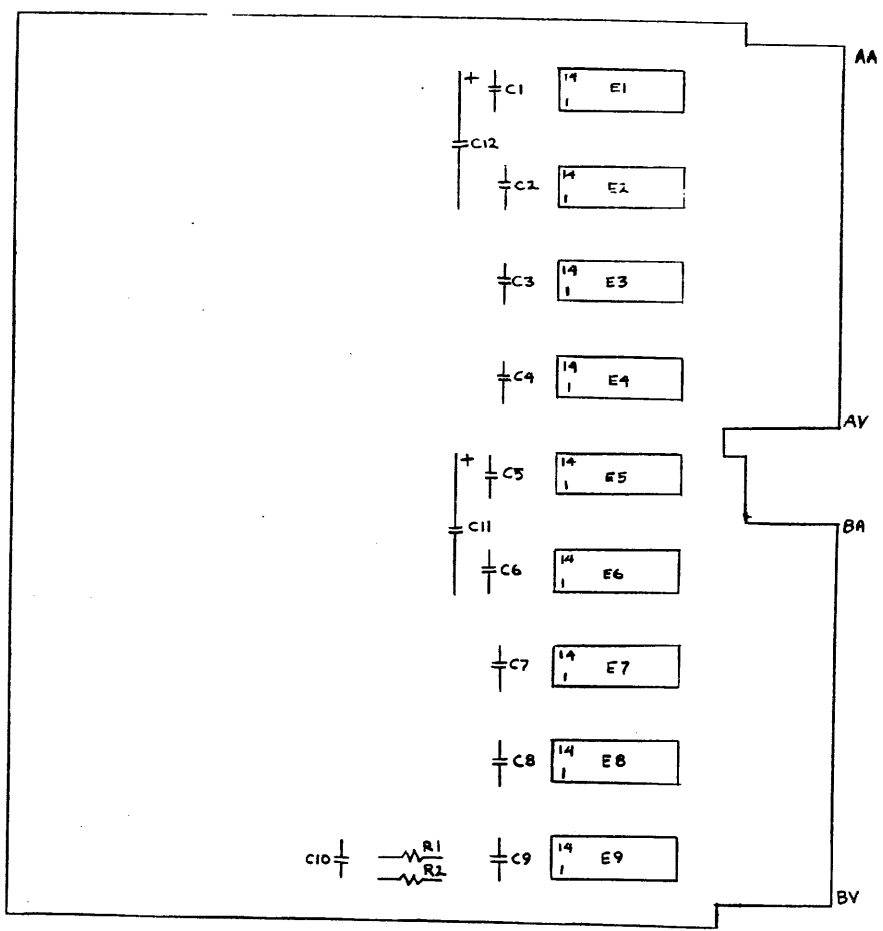


THIS SCHEMATIC IS FURNISHED ONLY FOR TEST AND MAINTENANCE PURPOSES. THE CIRCUITS ARE PROPRIETARY IN NATURE AND SHOULD BE TREATED ACCORDINGLY. COPYRIGHT 1988 BY DIGITAL EQUIPMENT CORPORATION.

REV. A  
D CS MI74-0-1  
NUMBER 8



UNLESS OTHERWISE INDICATED:  
RESISTORS ARE 1/4 W, 5%  
CAPACITORS ARE .01UF, 100V, 20%  
IC'S ARE DEC/D7MH33  
PIN 7 ON EACH IC = GND



ITEM NO.	DEC PART NO.	DESCRIPTION	QTY.
11	9008337-06	HANDLE, FLIP CHIP - MAGENTA	2
10	9006732	EYELET NGS 4-7	4
9	19054	I.C. DEC/D7MH33	9
8	1300250	RES. 150, 1/4W, 5%	1
7	1300229	RES. 100, 1/4W, 5%	1
6	1001610	CAP. .01UF, 100V, 20% DISC	10
5	1000076	CAP. .39UF, 10V, 10% S. TANT	2
4	5008527	ETCHED CIRCUIT BOARD	1
3	B-MI-M174-0-6	MODULE ECO HISTORY	
2	C-AH-M174-0-5	ASSY/DRILLING HOLE LAYOUT	
1	K-CC-M174-0-4	X-Y COORDINATE HOLE LOCATION	

REV.	DATE	BY	CHKD
1	12/16	CS	CS

DATE: 12/16  
BY: CS  
CHKD: CS

TRANSISTOR & DIODE CONVERSION CHART			
DEC	EA	DEC	EA

**digital** TITLE: 4X9 DATA MIXER MI74  
EQUIPMENT CORPORATION  
SALE CODE: D CS MI74-0-1  
NUMBER: 8  
REV. A  
PRINTED CIRCUIT REV. A

REV. A  
D CS MI74-0-1  
NUMBER 8