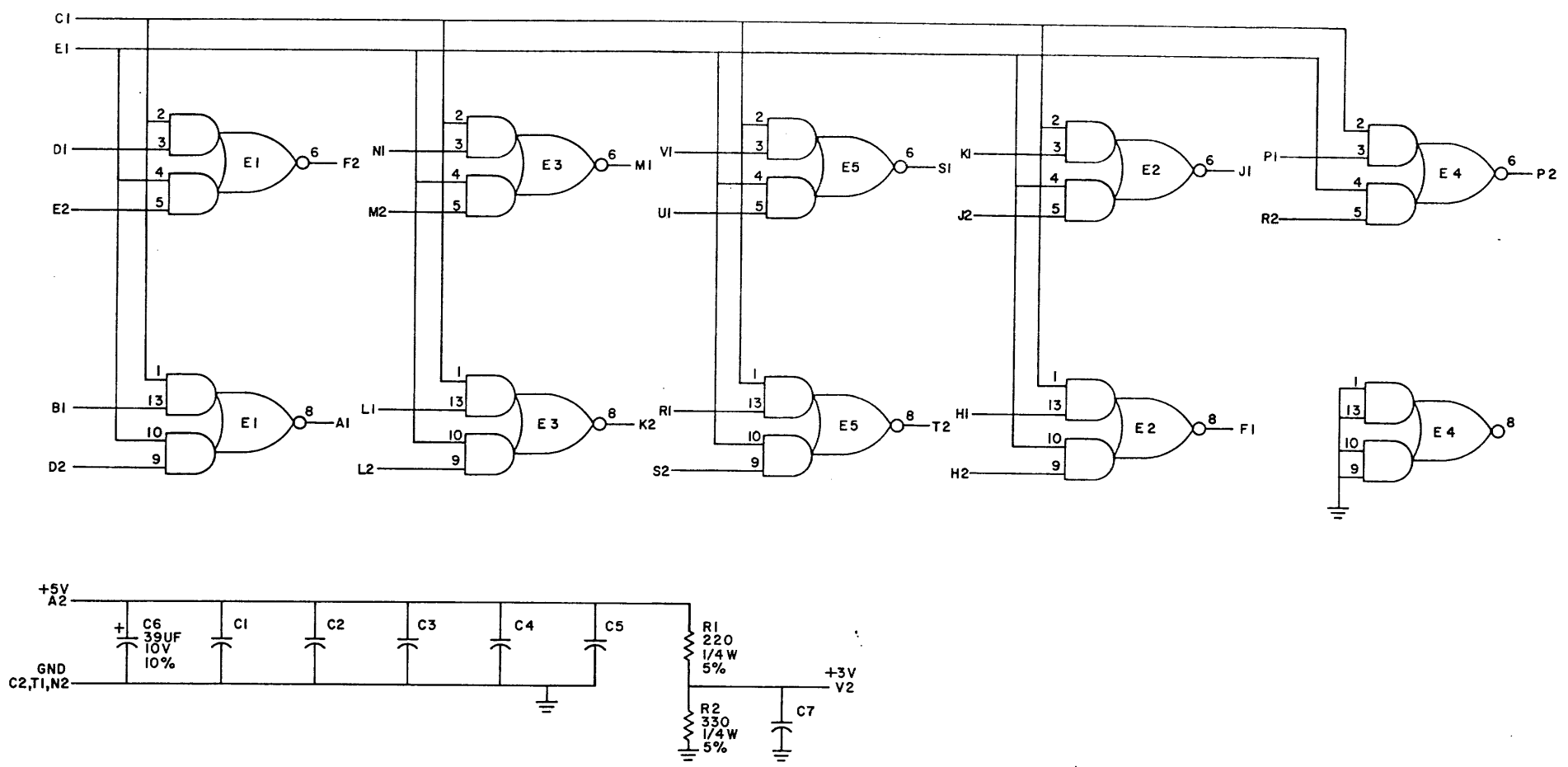
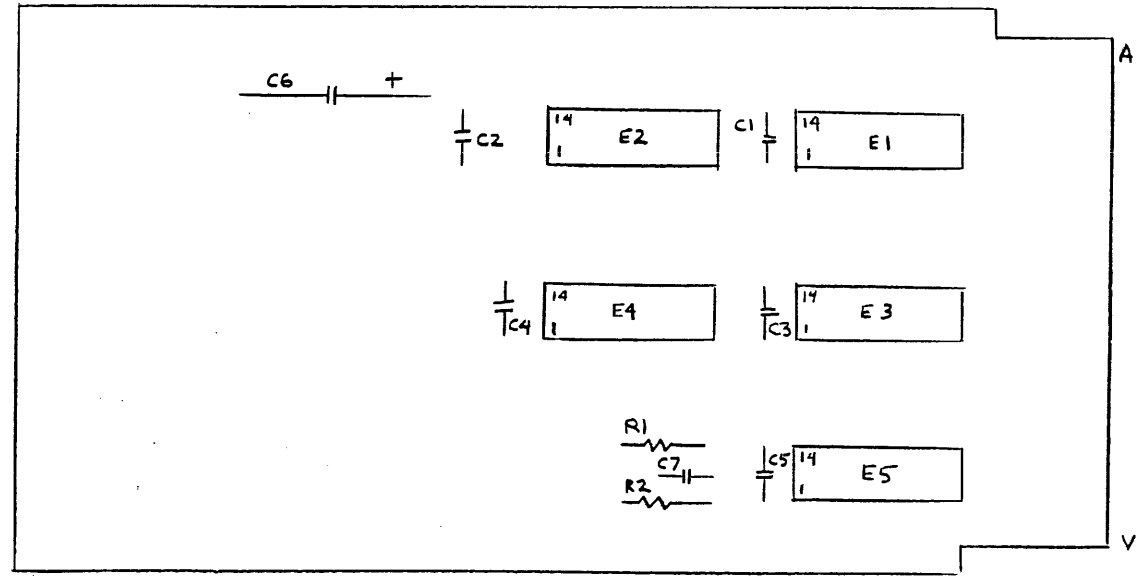


THIS SCHEMATIC IS FURNISHED ONLY FOR TEST AND MAINTENANCE PURPOSES. THE CIRCUITS ARE PROPRIETARY IN NATURE AND SHOULD BE TREATED ACCORDINGLY. COPYRIGHT 1970 BY DIGITAL EQUIPMENT CORPORATION



UNLESS OTHERWISE INDICATED:
 CAPACITORS ARE .01 UF, 100V, 20%
 IC'S ARE DEC1074H50
 PIN 7= GND ON EACH IC
 PIN 14= +5V



ITEM NO.	DEC PART NO.	DESCRIPTION	QTY.
11	9008337-06	HANDLE, FLIP CHIP - MAGENTA	1
10	9006732	EYELET #GS 4-7	2
9	1910512	I.C. DEC1074H50	5
8	1300295	RES. 330, 1/4W, 5% CC	1
7	1300271	RES. 220, 1/4W, 5% CC	1
6	1001610	CAP. .01UF, 100V, 20% DISC	6
5	1000076	CAP. 39UF, 10V, 10% S. TANT	1
4	5008536	ETCHED CIRCUIT BOARD	1
3	B-FH-M172-0-6	MODULE ECO HISTORY	
2	C-AH-M172-0-5	ASSY/DRILLING HOLE LAYOUT	
1	K-CO-M172-0-4	X-Y COORDINATE HOLE LOCATION	

REV. NO.	CHG NO.	REV.
1	00001	A

DRN	DATE
S. Cooper	12/14/70
CHK'D	DATE
ENG.	DATE
PROD.	DATE

TRANSISTOR & DIODE CONVERSION CHART			
DEC	EIA	DEC	EIA

digital EQUIPMENT CORPORATION
 MAYNARD, MASSACHUSETTS

TITLE: 2X9 DATA MIXER M172

SIZE	CODE	NUMBER	REV.
C	CS	M172-0-1	A

PRINTED CIRCUIT REV. A

REV. A
 NUMBER M172-0-1
 SIZE CODE C CS