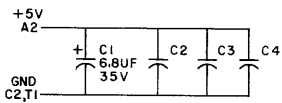
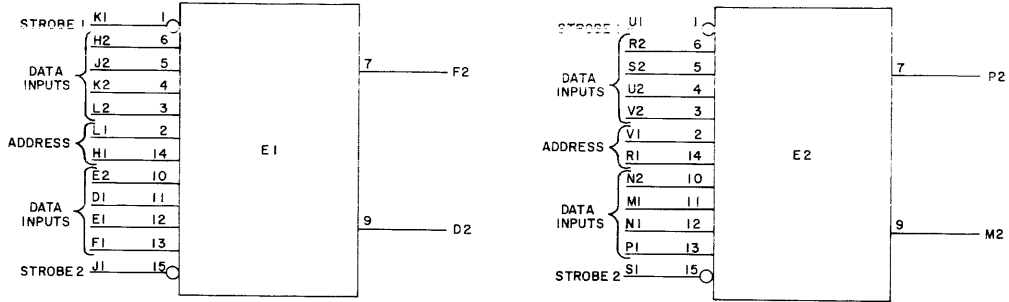


THIS SCHEMATIC IS FURNISHED ONLY FOR TEST AND MAINTENANCE PURPOSES. THE CIRCUITS ARE PROPRIETARY IN NATURE AND SHOULD BE TREATED ACCORDINGLY. COPYRIGHT 1970 BY DIGITAL EQUIPMENT CORPORATION.



UNLESS OTHERWISE INDICATED:
CAPACITORS ARE .01UF, 100V, 20%
IC'S ARE DEC74153

REVISIONS CHK'G NO. REV.	DRN	DATE	TRANSISTOR & DIODE CONVERSION CHART				digital EQUIPMENT CORPORATION MAYNARD, MASSACHUSETTS	TITLE			
	CHK'D	DATE	DEC	EIA	DEC	EIA		DATA SELECTOR M1701			
Eng	DATE	DATE					SIZE	CODE	NUMBER	REV.	
PROD	DATE	DATE					B	CS	M1701-0-1		
							PRINTED CIRCUIT REV.				
										D	