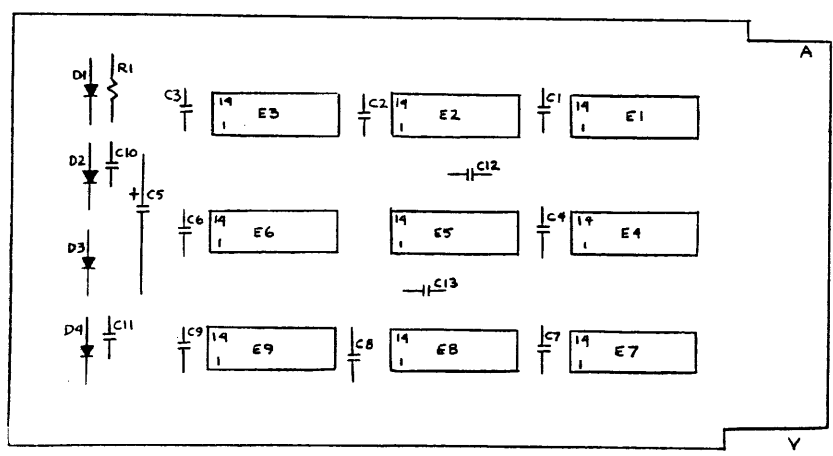
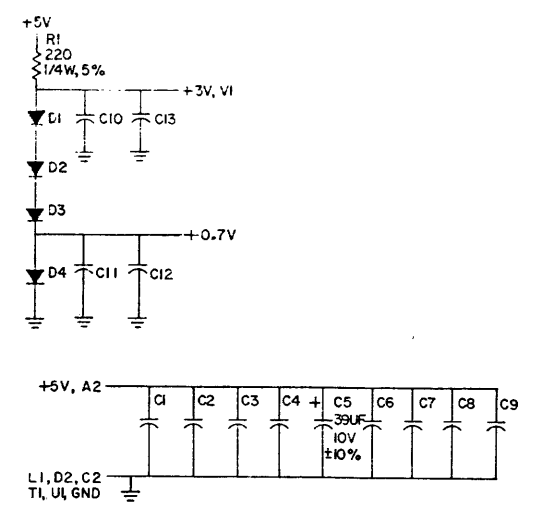
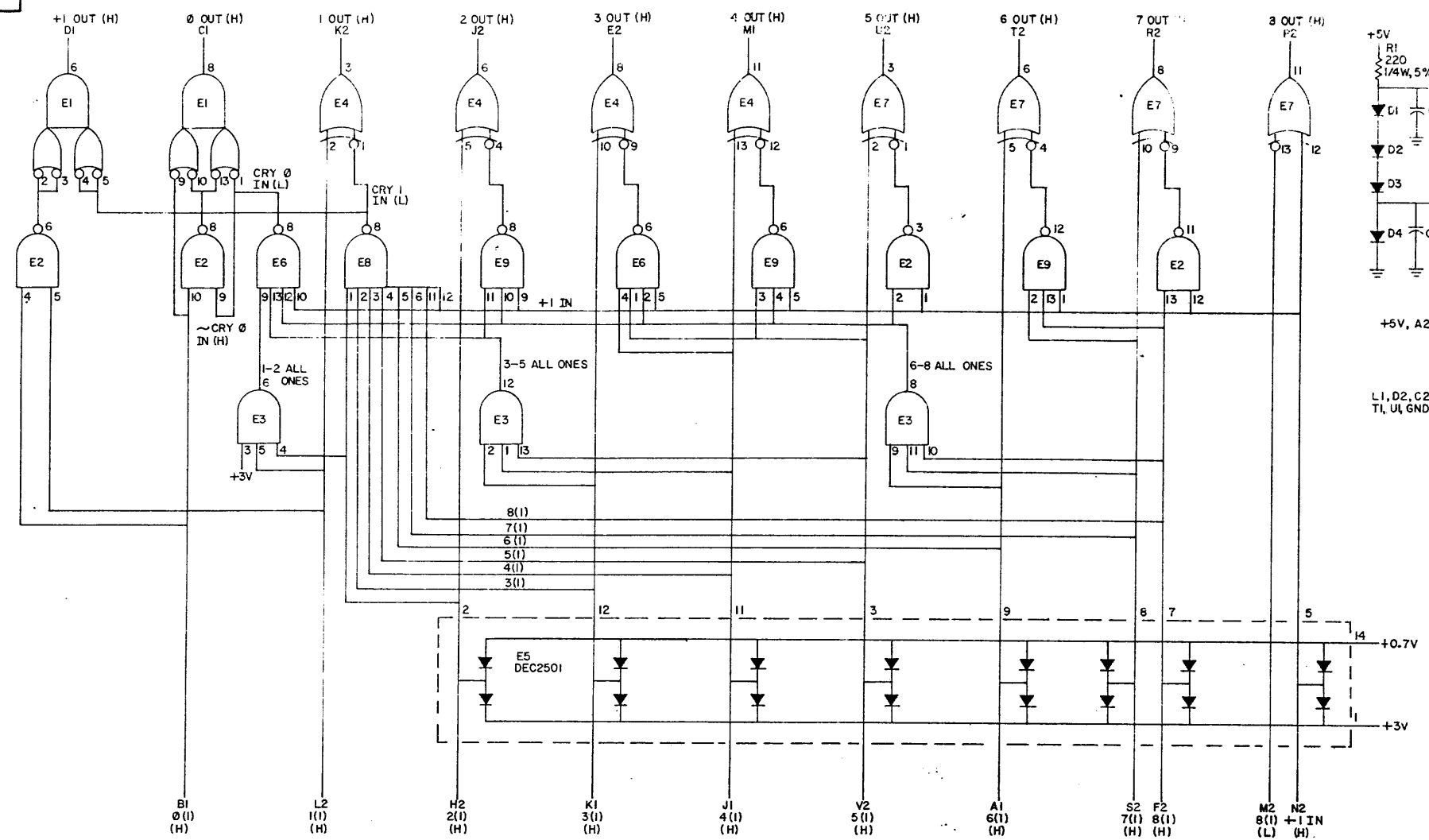


THIS SCHEMATIC IS FURNISHED ONLY FOR TEST AND MAINTENANCE PURPOSES. THE CIRCUITS ARE PROPRIETARY IN NATURE AND SHOULD BE TREATED ACCORDINGLY. COPYRIGHT 1970 BY DIGITAL EQUIPMENT CORPORATION.



UNLESS OTHERWISE INDICATED:
 CAPACITORS = .01UF, 100V, 20%
 DIODES = D662
 E1 = DEC1074H50
 E2 = DEC1074H00
 E3 = DEC1074H11
 E4, E7 = DEC3022
 E5 = DEC2501
 E6 = DEC1074H20
 E8 = DEC1074H30
 E9 = DEC1074H10
 PIN 7 GND ON E1-E4, E6-E9
 PIN 14 +5V

QTY.	DESCRIPTION	NUMBER	REV.
1	9008337-06	HANDLE, FLIP CHIP - MAGENTA	1
2	9006732	EYELET #GS 4-7	2
2	1910269	I.C. DEC 3022P	2
1	1910011	I.C. DEC 2501	1
1	1910465	I.C. DEC1074H11	1
1	1910512	I.C. DEC104H50	1
1	1910468	I.C. DEC1074H30	1
1	1910464	I.C. DEC1074H10	1
1	1910462	I.C. DEC1074H00	1
1	1910466	I.C. DEC1074H20	1
1	1300271	RES. 220, 1/4W, 5%	1
4	1100113	DIODE D662	4
12	1001610	CAP. .01UF, 100V, 20% DISC	12
1	1000074	CAP. .39UF, 10V, 10%	1
1	5009387	ETCHED CIRCUIT BOARD	1
1	166-0-1	MODULE ECO HISTORY	
1	166-0-1	ASSY/DRILLING HOLE LAYOUT	
1	166-0-4	X-Y COORDINATE HOLE LOCATION	
1	166-0-1	DESCRIPTION	

REVISIONS	DATE	BY	CHK'D	DATE	BY	DATE	BY	DATE	BY
1	7/2/70	MW							

TRANSISTOR & DIODE CONVERSION CHART			
DEC	EM	DEC	EM
D662	1N645		

TITLE		+1 GATE M166	
SERIAL	CODE	NUMBER	REV.
D	CS	M166-0-1	E

DIGITAL EQUIPMENT CORPORATION
 MAYFAIR, MASSACHUSETTS
 PRINTED CIRCUIT REV. E

REV E
 NUMBER M166-0-1
 DATE 2/15