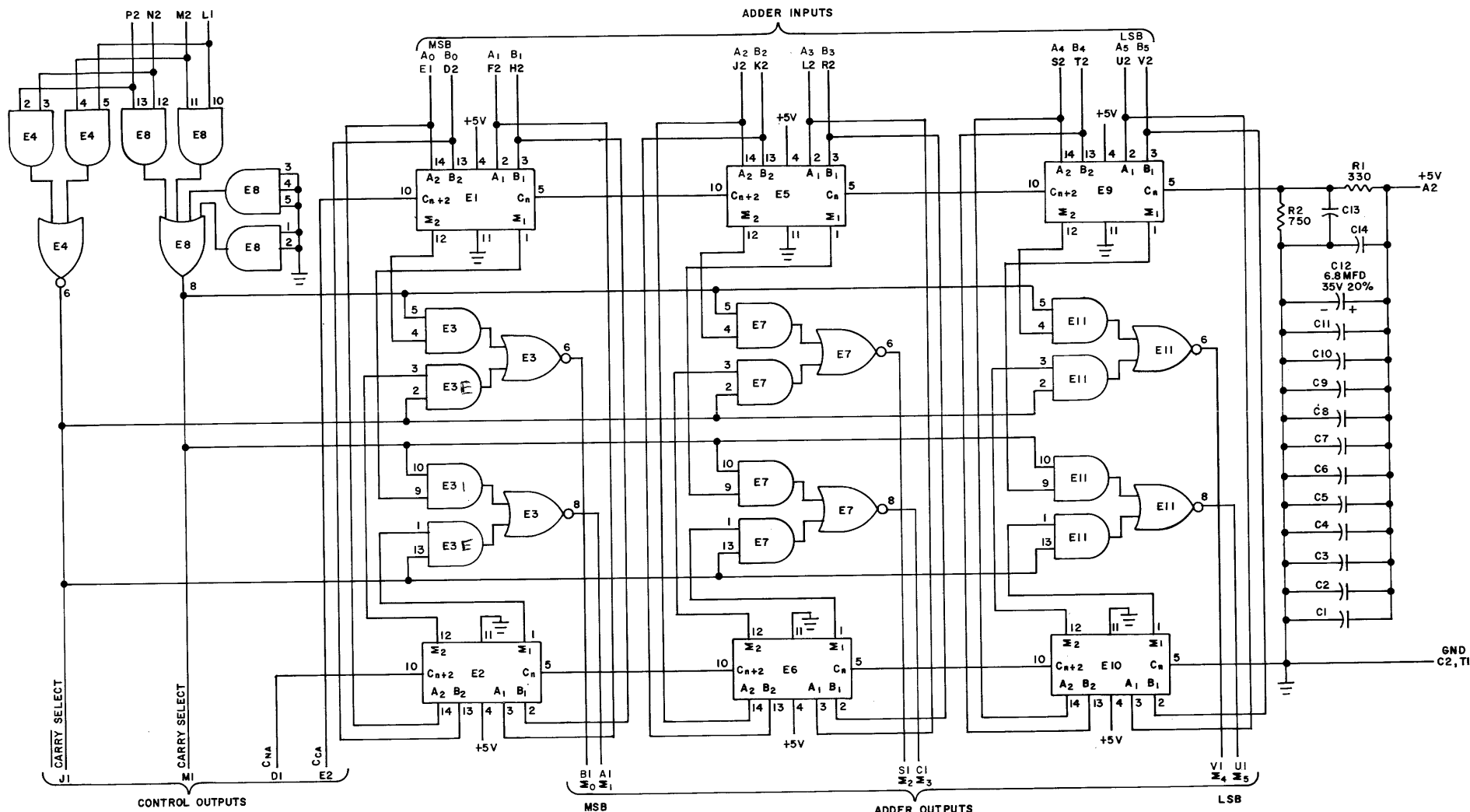


THIS SCHEMATIC IS FURNISHED ONLY FOR TEST AND MAINTENANCE PURPOSES. THE CIRCUITS ARE PROPRIETARY IN NATURE AND SHOULD BE TREATED ACCORDINGLY. COPYRIGHT 1969 BY DIGITAL EQUIPMENT CORPORATION



UNLESS OTHERWISE INDICATED:

CAPACITORS ARE .01MFD
 RESISTORS ARE 1/4W, 5%
 PIN 7 ON EACH IC (EXCEPT DEC7482N'S) = GND
 PIN 14 ON EACH IC (EXCEPT DEC7482N'S) = +5V
 E1, E2, E5, E6, E9, E10 ARE DEC7482N
 E3, E4, E7, E11 ARE DEC74H50N
 E8 IS DEC74H52N

OUTPUT DRIVE (UNIT LOADS)

$\Sigma_0, \Sigma_1, \dots, \Sigma_5$: 2.5
 CARRY SELECT : 5.0
 C_{NC}, C_{CA} : 5.0

INPUT LOADS (UNIT)

A_1, A_3, A_5 : 8
 B_1, B_3, B_5 : 8
 A_0, A_2, A_4 : 2
 B_0, B_2, B_4 : 2
 OUTPUT SELECT : 2.5

M164-3

REV.	CHKD	CHKD NO.	REV.
1		00001	C

DRN: <i>M. Koller</i>	DATE: 4-17-69
CHKD: <i>P. J. Gagnier</i>	DATE: 2-20-69
ENGR: <i>W. J. Gagnier</i>	DATE: 2/19/69
APP: <i>W. J. Gagnier</i>	DATE: 2/14/69

TRANSISTOR & DIODE CONVERSION CHART

DEC	EIA	DEC	EIA

digital
 EQUIPMENT CORPORATION
 MAYNARD, MASSACHUSETTS

TITLE
6 BIT ADDER M164

SIZE	CODE	NUMBER	REV.
C	CS	M164-0-1	C
PRINTED CIRCUIT REV.			B

REV. C
 NUMBER
 CS M164-0-1