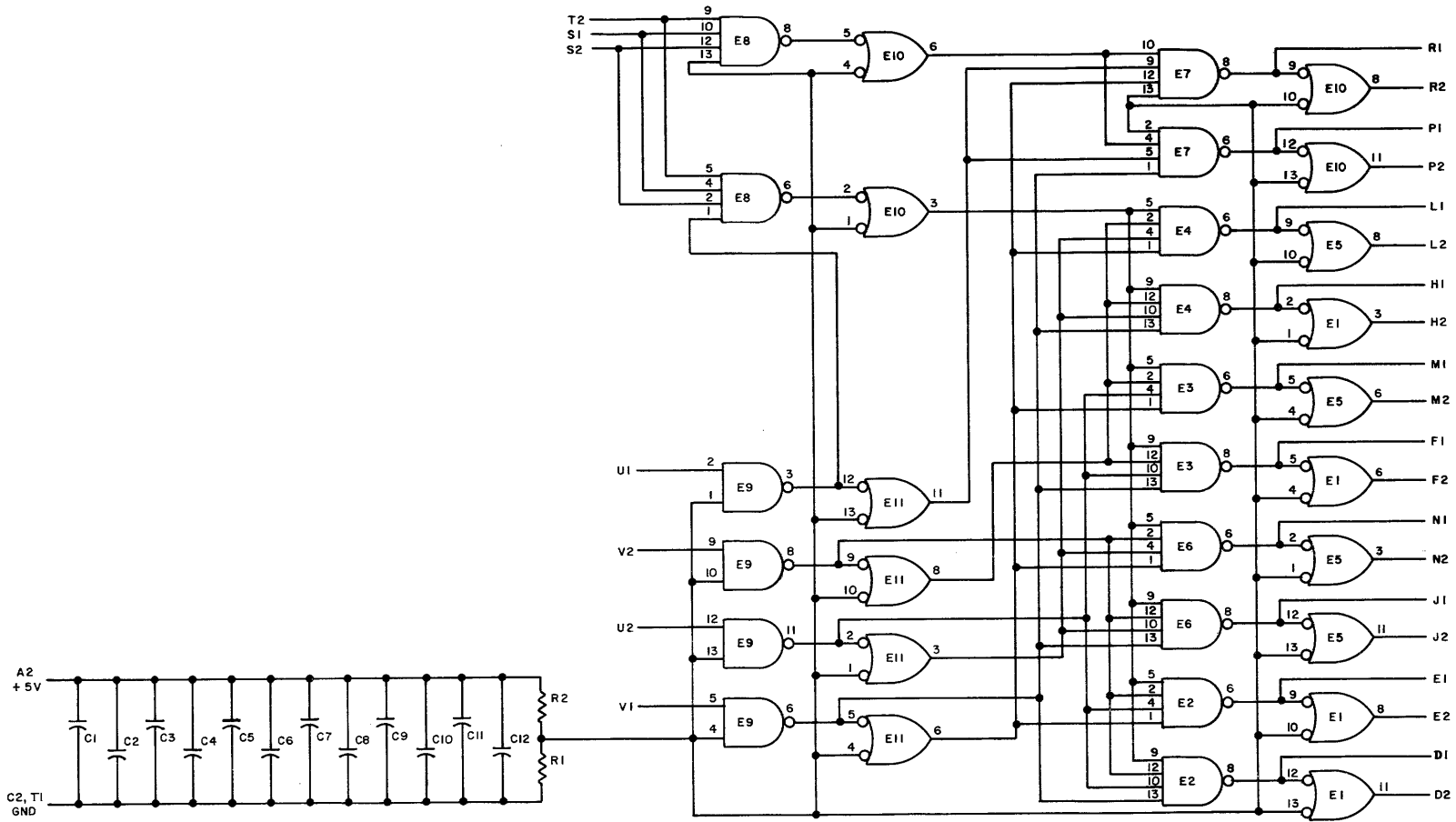


THIS SCHEMATIC IS FURNISHED ONLY FOR TEST AND MAINTENANCE PURPOSES. THE CIRCUITS ARE PROPRIETARY IN NATURE AND SHOULD BE TREATED ACCORDINGLY. COPYRIGHT 1967 BY DIGITAL EQUIPMENT CORPORATION



PIN 7 ON EACH IC = GND
PIN 14 ON EACH IC = +5V

E1, E5, E9, E10, E11	INTEGRATED CKT. DEC7400N	1905575
E2, E3, E4, E6, E7, E8	INTEGRATED CKT. DEC7420N	1905577
R2	RES 330 1/4W 10% CC	1300293
R1	RES. 750 1/4W 5% CC	1301401
C1 THRU C12	CAP. .01MFD 100V 20% DISC	1001610
	PARTS LIST	A-PL-MI61-0-0
REFERENCE DESIGNATION	DESCRIPTION	PART NO.
	PARTS LIST	

REVISIONS CHK CHG NO. REV 1 / 1 / 100001 / A 2 / 1 / 100001 / B	DRN. <i>M. Waller</i> DATE <i>2/2-67</i>	TRANSISTOR & DIODE CONVERSION CHART				EQUIPMENT CORPORATION MAYNARD, MASSACHUSETTS	TITLE BINARY TO OCTAL/DECIMAL DECODER MI61	
	ENG'D <i>[Signature]</i> DATE <i>3/17/67</i>	DEC EIA DEC EIA	SIZE CODE NUMBER REV. C CS MI61-0-1 B					
	ENG. <i>[Signature]</i> DATE <i>2/7/67</i>		PRINTED CIRCUIT REV. C [] [] [] []					
	PROD. DATE							

SIZE CODE NUMBER REV. B
 C CS MI61-0-1