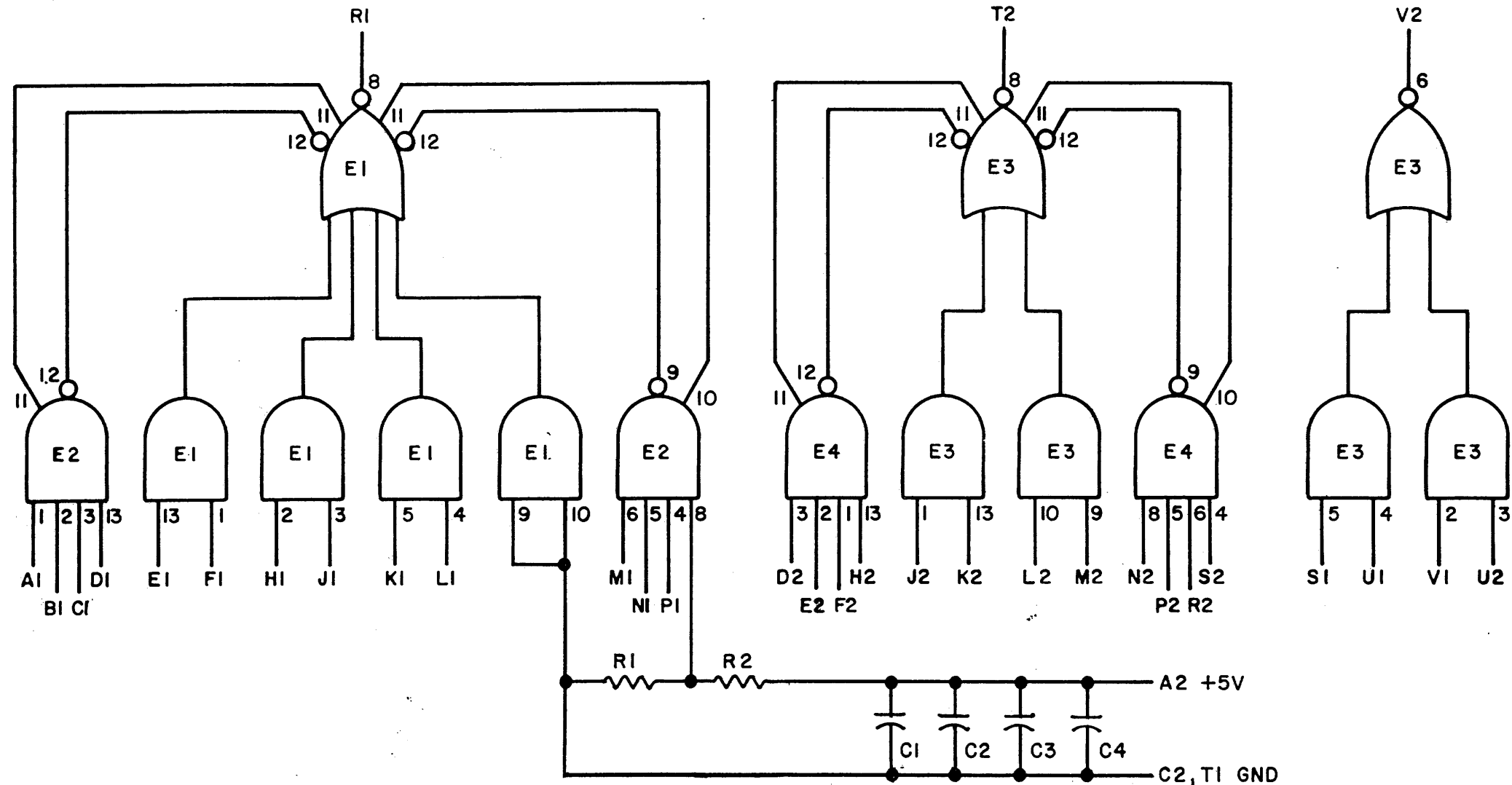


THIS SCHEMATIC IS FURNISHED ONLY FOR TEST AND MAINTENANCE PURPOSES. THE CIRCUITS ARE PROPRIETARY IN NATURE AND SHOULD BE TREATED ACCORDINGLY. COPYRIGHT 1967 BY DIGITAL EQUIPMENT CORPORATION



NOTES
PIN 7 ON EACH IC = GND
PIN 14 ON EACH IC = +5V

E3	INTEGRATED CKT. DEC7450N	1905580
E1	INTEGRATED CKT. DEC7453N	1905582
E2 & E4	INTEGRATED CKT. DEC7460N	1905581
R2	RES. 4.7K 1/4W 10% CC	1300448
R1	RES. 6.8K 1/4W 10% CC	1300463
C1 THRU C4	CAP, .01MFD 100V 20% DISC	1001610
	PARTS LIST	A-PL-M160-0-0
REFERENCE DESIGNATION	DESCRIPTION	PART NO.

REVISIONS CHK CHG NO. REV. 6807 A MM 00001 B	DRN. <i>M. Heller</i>	DATE 4-21-67	TRANSISTOR & DIODE CONVERSION CHART DEC EIA DEC EIA	digital EQUIPMENT CORPORATION MAYNARD, MASSACHUSETTS	TITLE GATE MODULE M160
	CHK'D <i>R. Sullivan</i>	DATE 5/5/67			
	ENGR. <i>W. Boyce</i>	DATE 5/5/67			SIZE CODE NUMBER REV. B CS M160-0-1 B
	PROD.	DATE			PRINTED CIRCUIT REV. D

PINK

DIST. 324 434 435