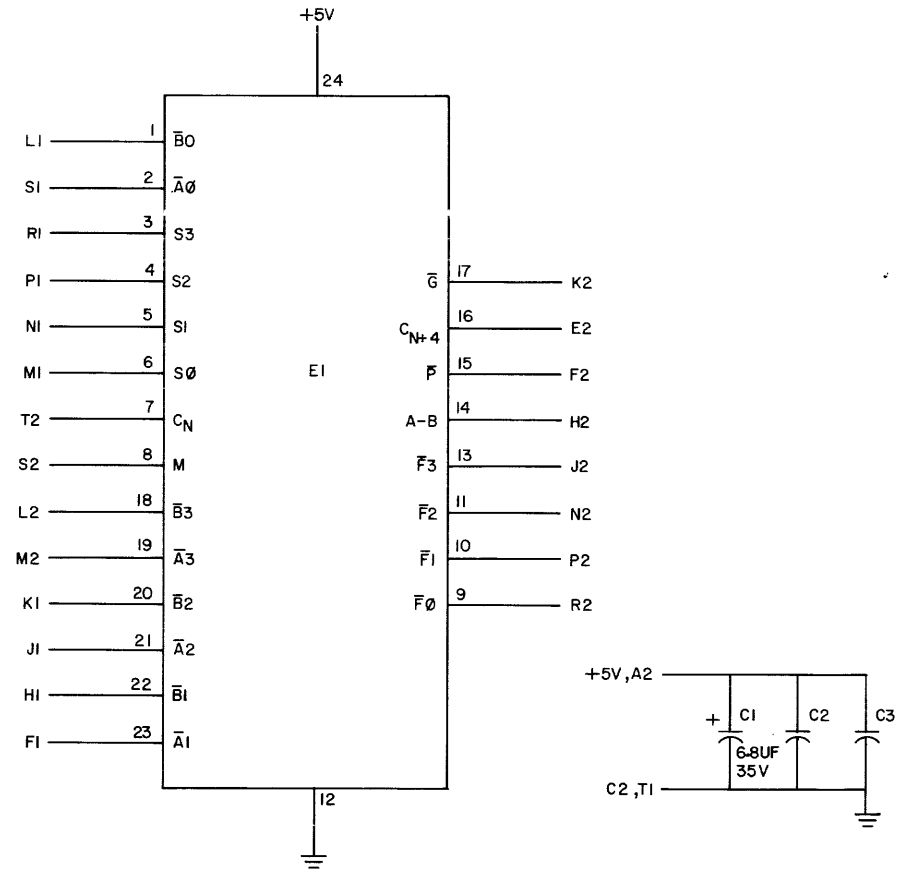


M159-2

REV.	NUMBER	B	CS
	M159-0-1		

THIS SCHEMATIC IS FURNISHED ONLY FOR TEST AND MAINTENANCE PURPOSES. THE CIRCUITS ARE PROPRIETARY IN NATURE AND SHOULD BE TREATED ACCORDINGLY. COPYRIGHT 1970 BY DIGITAL EQUIPMENT CORPORATION



UNLESS OTHERWISE INDICATED:
CAPACITORS ARE .01UF, 100V, 20%
IC IS A DEC74181

REVISIONS CHK CHG NO. REV.	DRN <i>B. Wyatt</i>	DATE 10-28-70	TRANSISTOR & DIODE CONVERSION CHART				digital	TITLE 4-BIT ARITHMETIC LOGIC UNIT M159			
	CHK <i>J. J. O'Connell</i>	DATE 11-3-70	DEC	EIA	DEC	EIA		SIZE B	CODE CS	NUMBER M159-0-1	REV.
	ENG. <i>J. J. O'Connell</i>	DATE 12/10/70					EQUIPMENT CORPORATION	PRINTED CIRCUIT REV. A			
	PROD.	DATE					MAYNARD, MASSACHUSETTS				

DEC FORM NO. DRB 102

5 DIST. 324, 434, 435 3 PINK