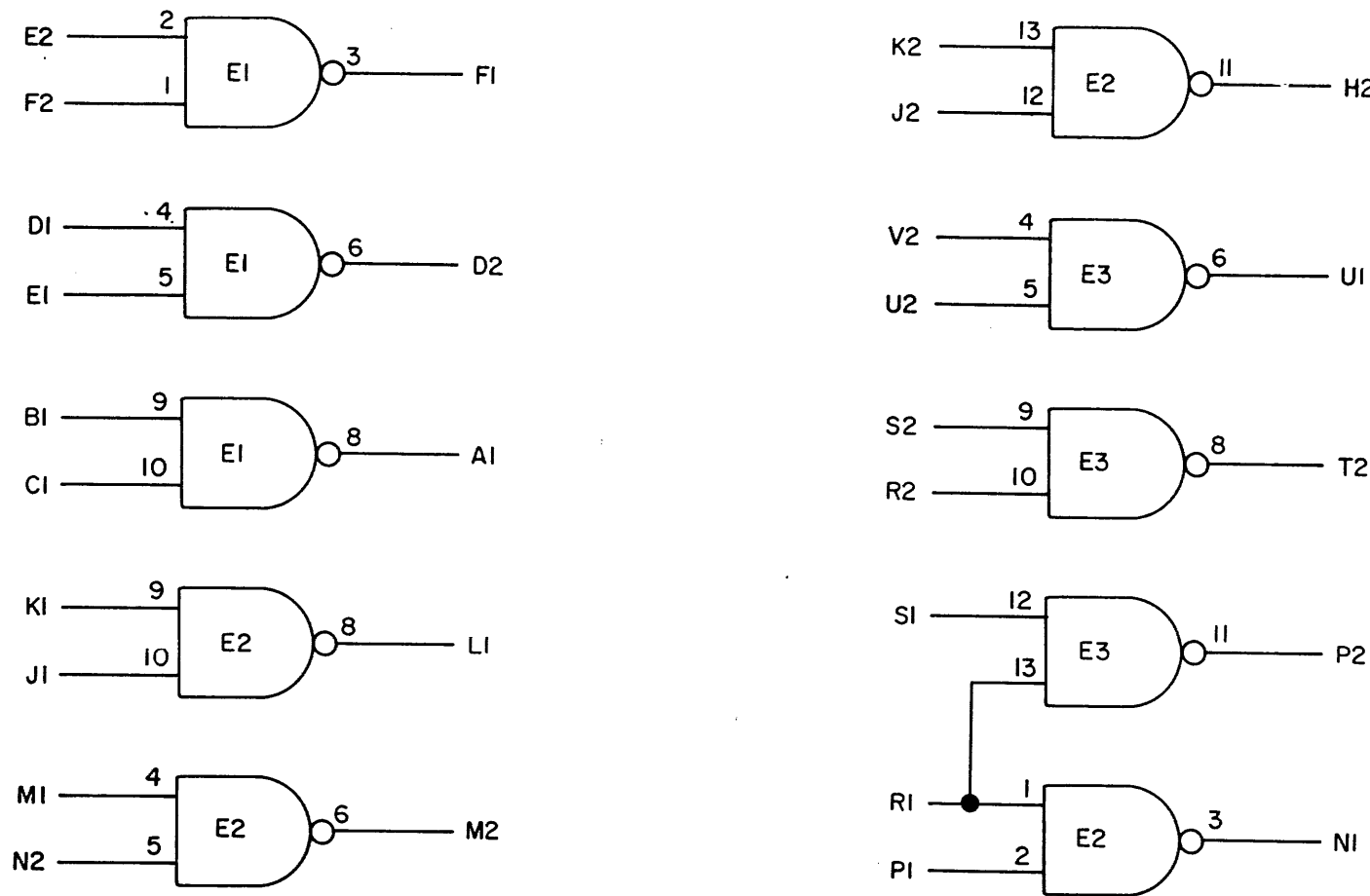
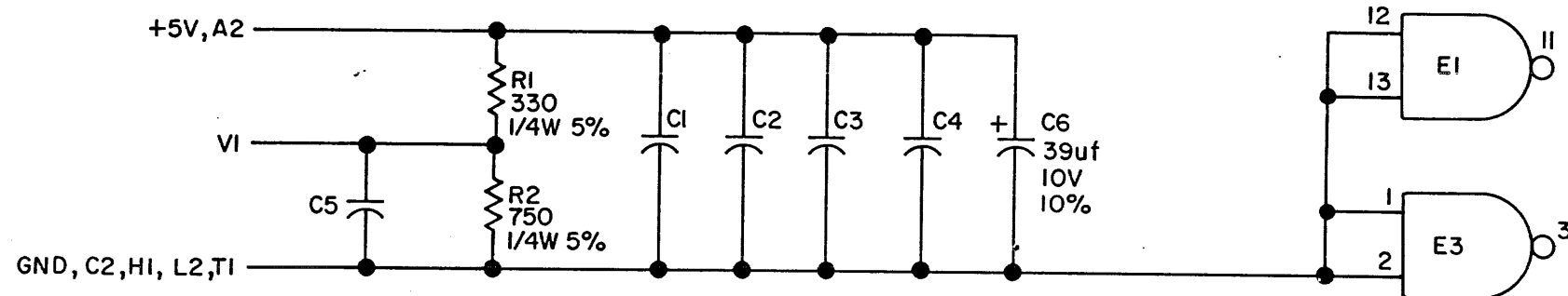


THIS SCHEMATIC IS FURNISHED ONLY FOR TEST AND MAINTENANCE PURPOSES. THE CIRCUITS ARE PROPRIETARY IN NATURE AND SHOULD BE TREATED ACCORDINGLY. COPYRIGHT 1970 BY DIGITAL EQUIPMENT CORPORATION

REV. A  
NUMBER M143-0-1  
SIZE CODE B CS



UNLESS OTHERWISE INDICATED:  
IC'S ARE DEC1074H00  
PIN 14 = +5V  
PIN 7 = GND ON ALL IC'S  
CAPACITORS ARE .01uf, 100V, 20%



REVISIONS CHK CHG NO. REV. 00001 A	DRN. <i>BUTLER</i>	DATE 4-2-70	TRANSISTOR & DIODE CONVERSION CHART				digital EQUIPMENT CORPORATION MAYNARD, MASSACHUSETTS	TITLE NAND GATE M143		
	CHK'd <i>V. Buterowski</i>	DATE 4/13/70	DEC	EIA	DEC	EIA		SIZE B	CODE CS	NUMBER M143-0-1
	ENG. <i>JEP</i>	DATE 4/15/70					PRINTED CIRCUIT REV. A			
	PROP. <i>R Wall</i>	DATE 6/3/70								