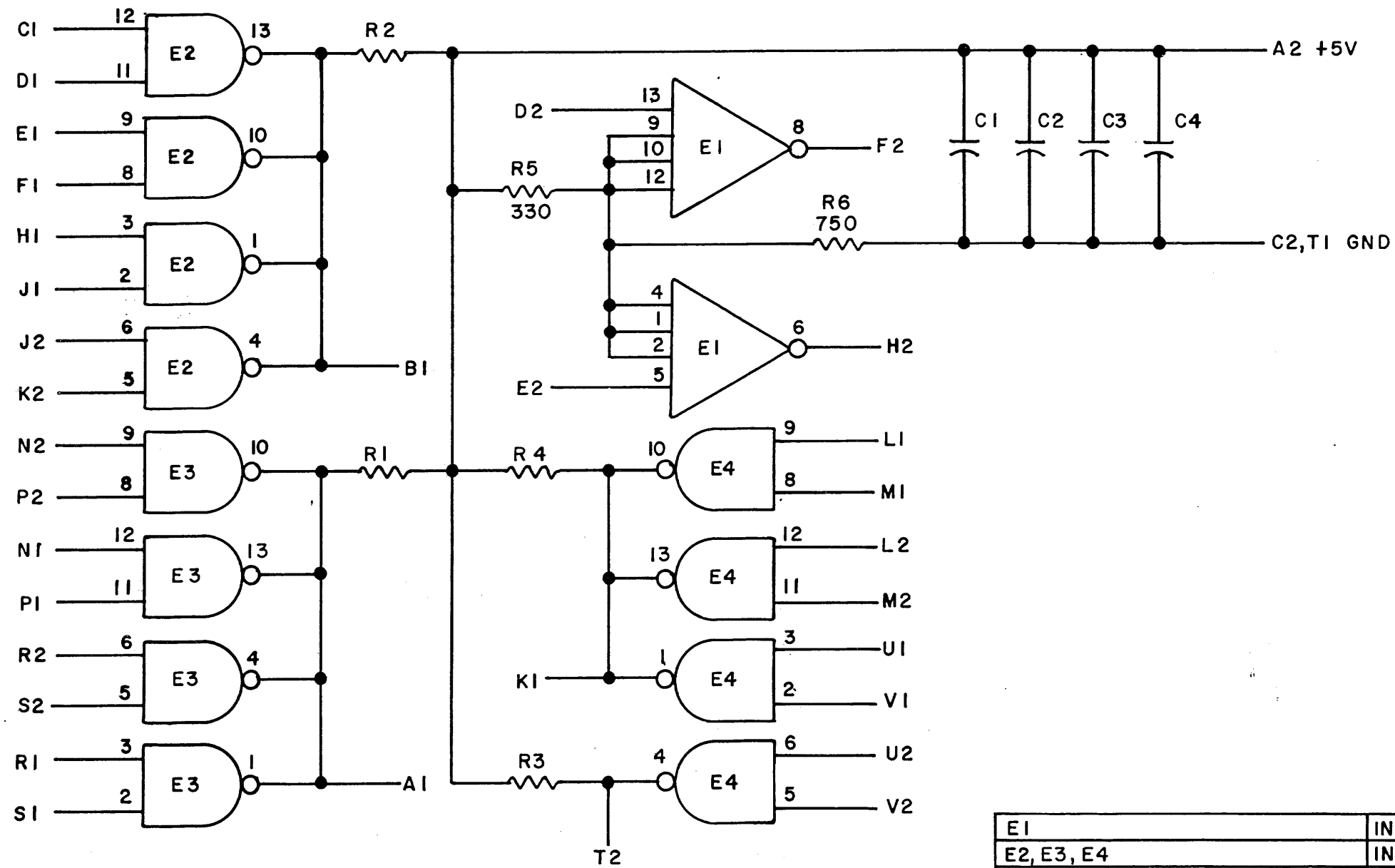


THIS SCHEMATIC IS FURNISHED ONLY FOR TEST AND MAINTENANCE PURPOSES. THE CIRCUITS ARE PROPRIETARY IN NATURE AND SHOULD BE TREATED ACCORDINGLY. COPYRIGHT 1967 BY DIGITAL EQUIPMENT CORPORATION



NOTE:
PIN 7 ON EACH IC = GND
PIN 14 ON EACH IC = +5V

E1	INTEGRATED CKT. DEC7420N	1905577
E2, E3, E4	INTEGRATED CKT. DEC7401N	1905590
R6	RES. 750 1/4W 5% CC	1301401
R5	RES. 330 1/4W 10% CC	1300293
R1 THRU R4	RES. 1.5K 1/4W 5% CC	1300391
C1 THRU C4	CAP. .01MFD 100V 20% DISC	1001610
	PARTS LIST	A-PL-M141-0-0
REFERENCE DESIGNATION	DESCRIPTION	PART NO.

REVISIONS CHK CHG NO. REV. REV 6803 A 00001 B	DRN. M. HALLER DATE 10-6-67	TRANSISTOR & DIODE CONVERSION CHART DEC EIA DEC EIA		TITLE AND/NOR GATES M141	
	CHK'D R. SILVERMAN DATE 10-13-67			ENG. L. WHITE DATE 10-13-67	EQUIPMENT CORPORATION MAYNARD, MASSACHUSETTS
PROD. DATE			PRINTED CIRCUIT REV. C		

↑ PINK

DIST: 324 434 435