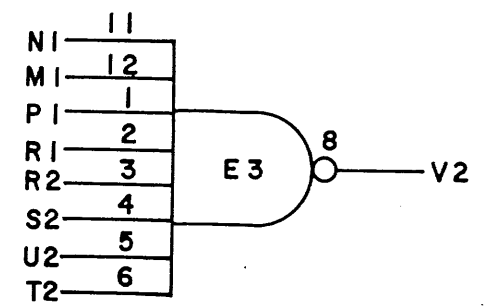
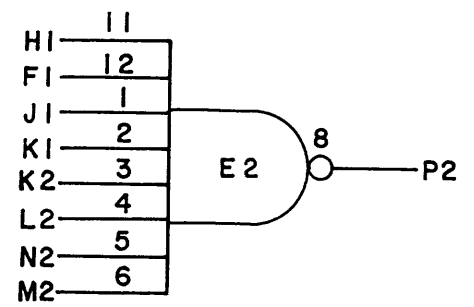
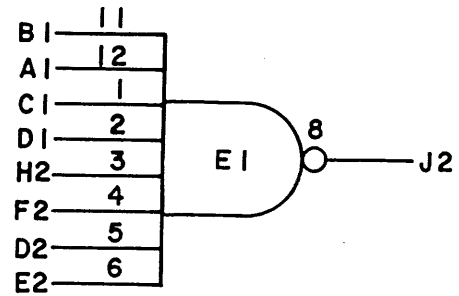


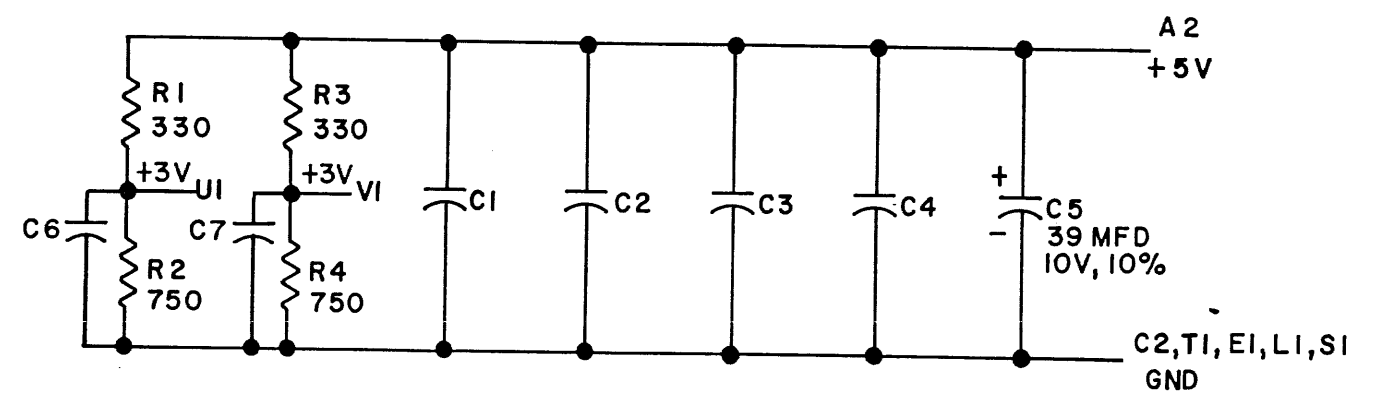


REV. D	NUMBER M139-0-1	SIZE B	CODE CS
--------	-----------------	--------	---------

THIS SCHEMATIC IS FURNISHED ONLY FOR TEST AND MAINTENANCE PURPOSES. THE CIRCUITS ARE PROPRIETARY IN NATURE AND SHOULD BE TREATED ACCORDINGLY. COPYRIGHT 1969 BY DIGITAL EQUIPMENT CORPORATION



UNLESS OTHERWISE INDICATED:  
 IC'S ARE DEC1074H30  
 PIN 7 ON EACH IC = GND  
 PIN 14 ON EACH IC = +5V  
 CAPACITORS ARE .01 MFD, 100V, 20%  
 RESISTORS ARE 1/4W, 5%



REVISIONS CHK CHG NO. REV. P.D. 00001 B 00002 C 00003 D	DRN. <i>Spontaneous</i>	DATE 3-4-69	TRANSISTOR & DIODE CONVERSION CHART				<b>digital</b> EQUIPMENT CORPORATION MAYNARD, MASSACHUSETTS	TITLE 3-8 INPUT NAND GATE M139			
	CHK'D <i>A. Young</i>	DATE 3-6-69	DEC	EIA	DEC	EIA		SIZE B	CODE CS	NUMBER M139-0-1	REV. D.
	ENG. <i>DEO'Connor</i>	DATE 4-7-69						PRINTED CIRCUIT REV. B			
	PROD.	DATE						DIST. 374, 434, 435, 2 PINK			

DEC FORM NO. DRB 102

