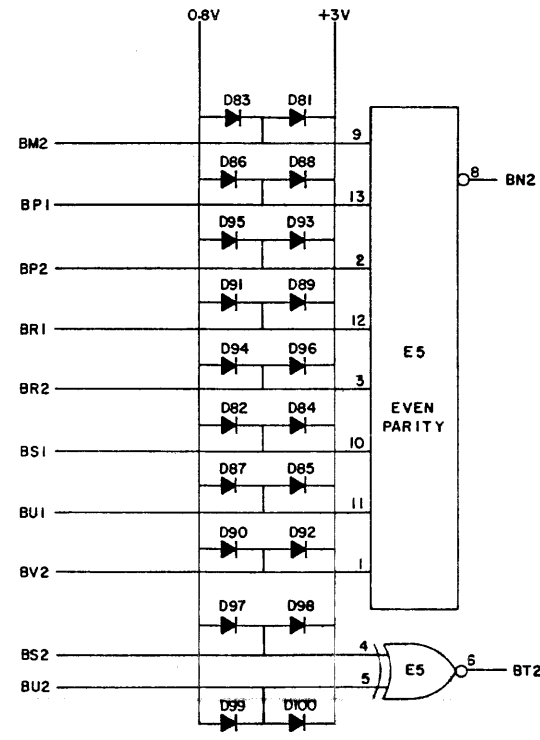
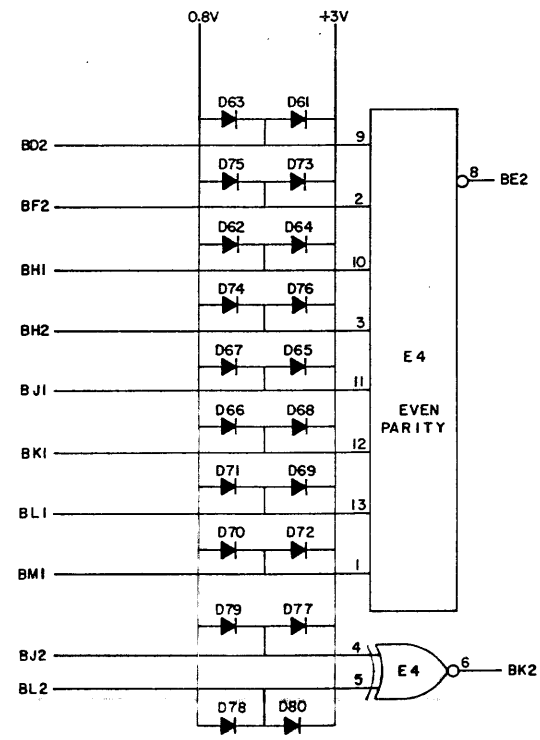
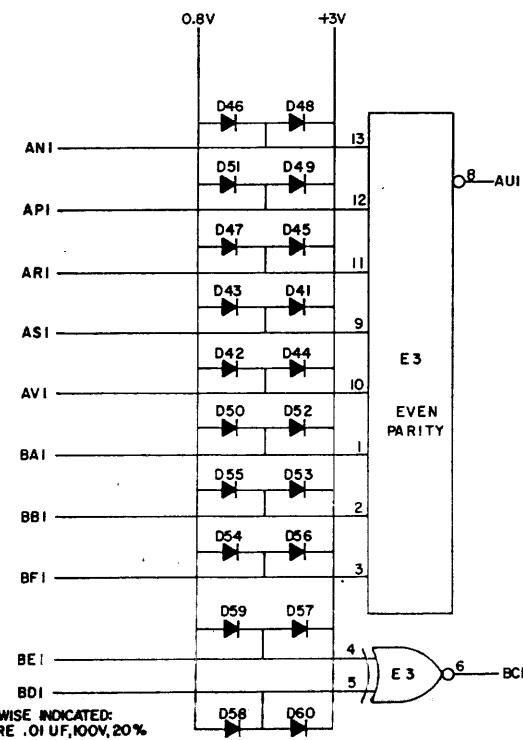
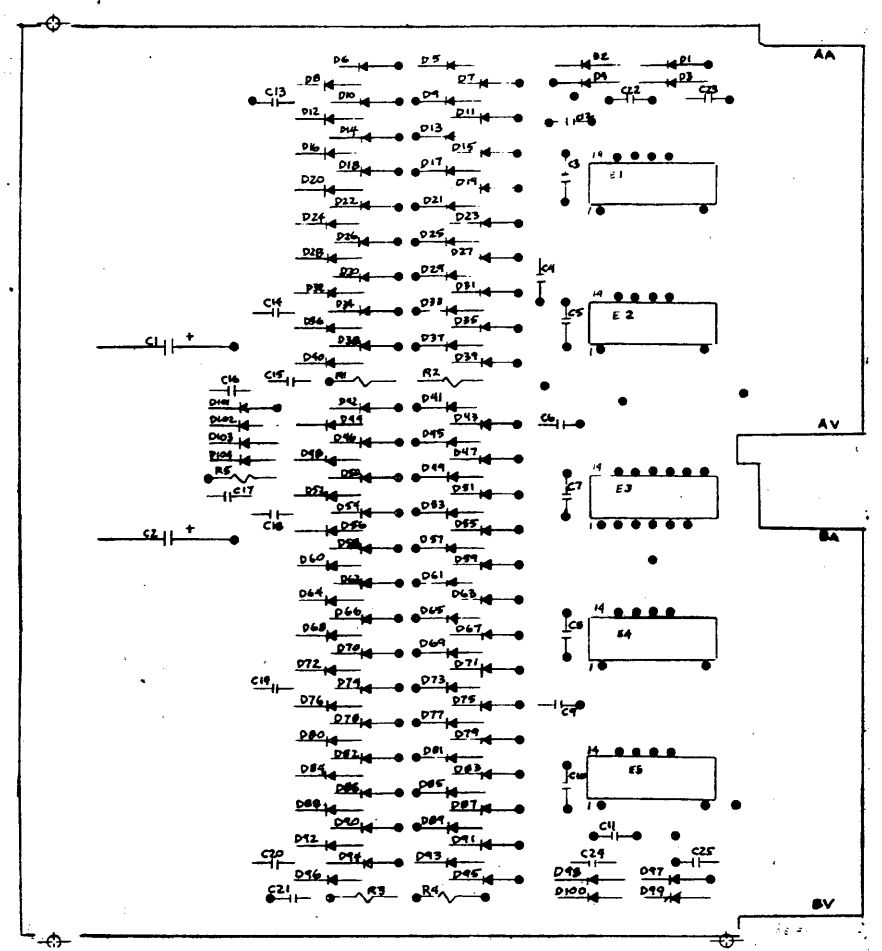
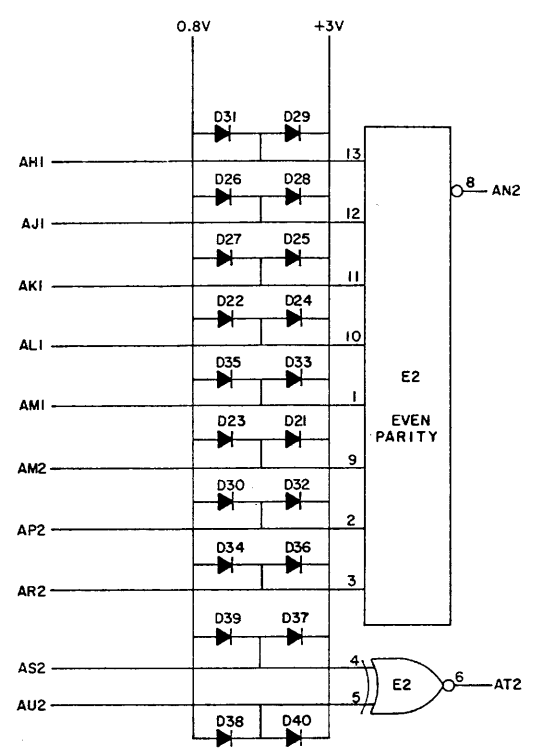
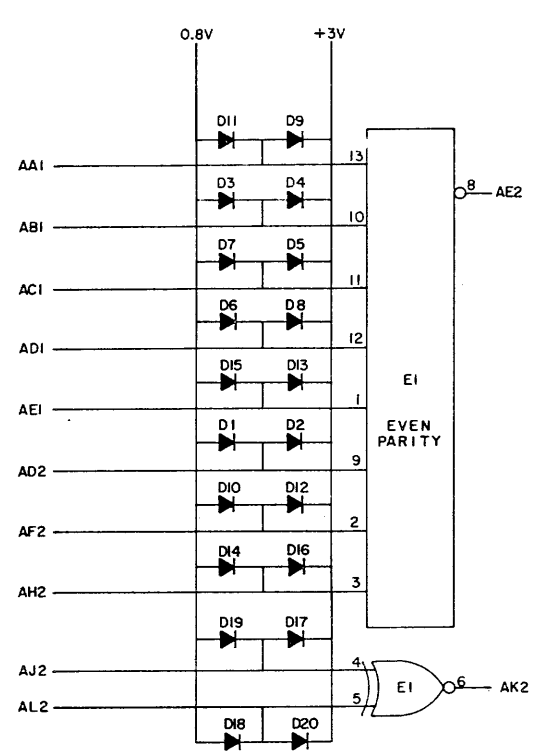
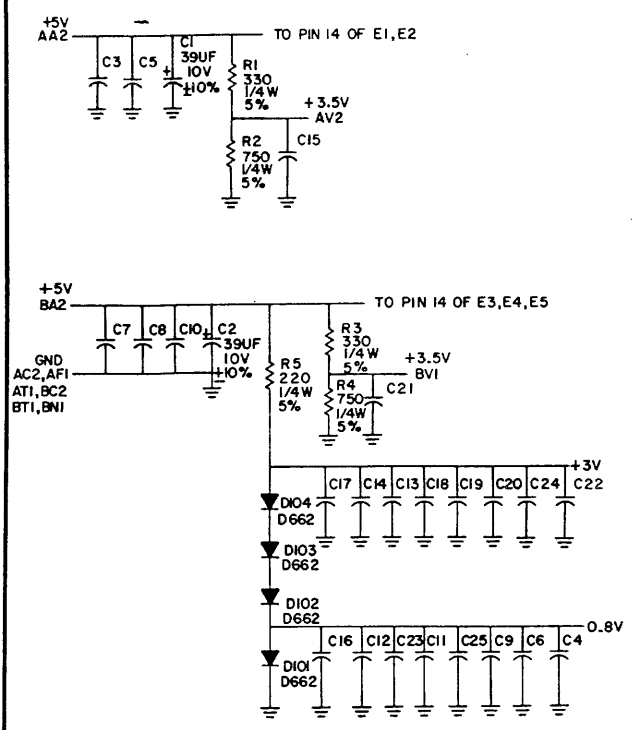


THIS SCHEMATIC IS FURNISHED ONLY FOR TEST AND MAINTENANCE PURPOSES. THE CIRCUITS ARE PROPRIETARY IN NATURE AND SHOULD BE TREATED ACCORDINGLY. COPYRIGHT 19 BY DIGITAL EQUIPMENT CORPORATION



UNLESS OTHERWISE INDICATED:
CAPACITORS ARE .01 UF, 100V, 20%
DIODES ARE D664
IC'S ARE DEC 4008P
PIN 7 = GND
PIN 14 = +5V ON ALL IC'S

ITEM NO.	QTY	DESCRIPTION
14	2	9008337-06 HANDLE, FLIP CHIP - MAGENTA
13	4	9006732 EYELET WGS 4-7
12	5	1910270 I.C. DEC4008P
11	2	1301401 RES. 750, 1/4W, 5%
10	2	1300295 RES. 330, 1/4W, 5%
9	1	1300271 RES. 220, 1/4W, 5%
8	100	11-0114 DIODE D664
7	4	1100113 DIODE D662
6	23	1001610 CAP. .01UF, 100V, 20%
5	2	1000076 CAP. .39UF, 10V, 10% S. TANT
4	1	5009373 ETCHED CIRCUIT BOARD
3		B-MH-1130-0-6 MODULE ECO HISTORY
2		D-AH-1130-0-5 ASSY/DRILLING HOLE LAYOUT
1		K-CC-1130-C-4 X-Y COORDINATE HOLE LOCATION
		DEC PART 14.

REV	DATE	BY	CHKD
1	12/16/66	W. J.

TRANSISTOR & DIODE CONVERSION CHART			
DATE	DEC	EMA	EMA
0664	IN 3608		
0662	IN 3629		

digital EQUIPMENT CORPORATION
PARITY CHECKERS AND GATES MI30
 DCS MI30-0-1
 PRINTED CIRCUIT REV. C