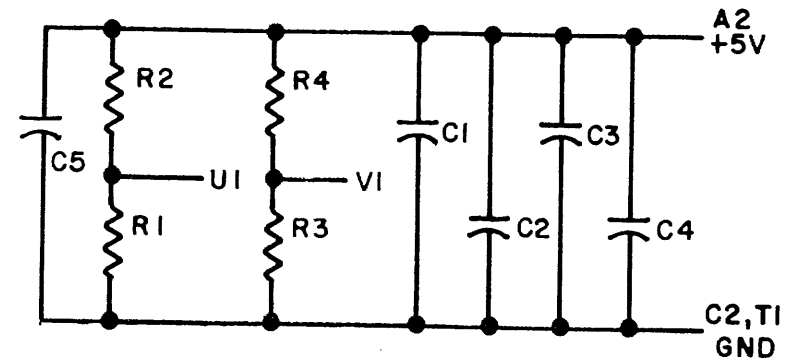
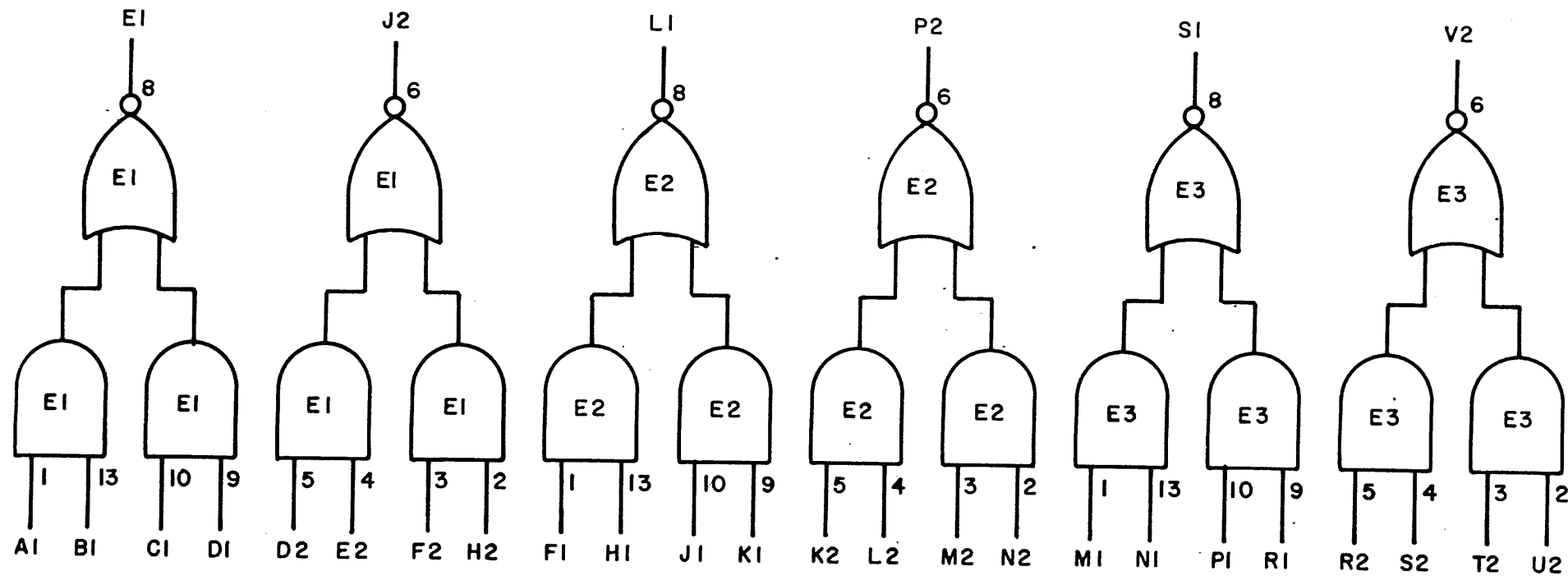


THIS SCHEMATIC IS FURNISHED ONLY FOR TEST AND MAINTENANCE PURPOSES. THE CIRCUITS ARE PROPRIETARY IN NATURE AND SHOULD BE TREATED ACCORDINGLY. COPYRIGHT 1967 BY DIGITAL EQUIPMENT CORPORATION

REV. C	NUMBER M121-0-1	CS B	SIZE
--------	-----------------	------	------



NOTES:
PIN 7 ON EACH IC = GND
PIN 14 ON EACH IC = +5V

E1 THRU E3	INTEGRATED CKT. DEC7450N	190580
R2 & R4	RES. 330 1/4W 10% CC	1300293
R1 & R3	RES. 750 1/4W 5% CC	1301401
C1 THRU C5	CAP. .01MFD 100V 20% DISC	1001610
	PARTS LIST	A-PL-M121-0-0
REFERENCE DESIGNATION	DESCRIPTION	PART NO.

REVISIONS CHK CHG NO. REV. 6802 A MW 0001 B M-1 0002 C	DRN. <i>M. Waller</i>	DATE 4-21-67	TRANSISTOR & DIODE CONVERSION CHART				digital EQUIPMENT CORPORATION MAYNARD, MASSACHUSETTS	TITLE AND-NOR GATE M121			
	CHK'D <i>[Signature]</i>	DATE 4-21-67	DEC	EIA	DEC	EIA		SIZE B	CODE CS	NUMBER M121-0-1	REV. C
	ENG. <i>L. White</i>	DATE 4-21-67									
	PROD.	DATE									

DEC FORM NO. DRB 102

↑ PINK

DIST. 324 434 435 3 15