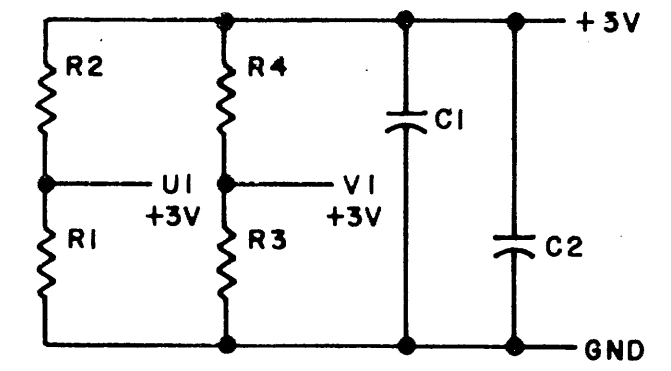
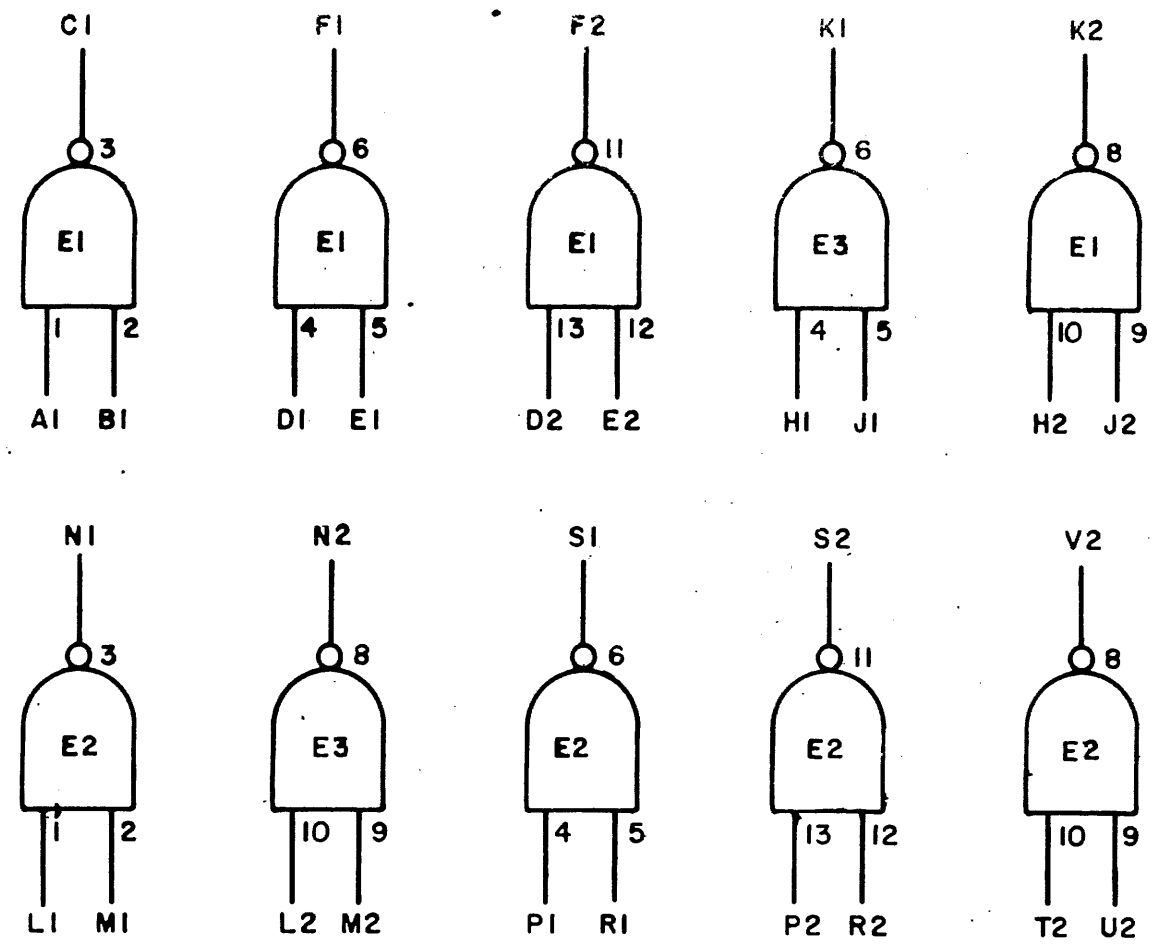


THIS SCHEMATIC IS FURNISHED ONLY FOR TEST AND MAINTENANCE PURPOSES. THE CIRCUITS ARE PROPRIETARY IN NATURE AND SHOULD BE TREATED ACCORDINGLY. COPYRIGHT 1967 BY DIGITAL EQUIPMENT CORPORATION

+5V ——— A2  
 NOT USED -15V ——— B2  
 GND ——— C2, T1



NOTES:  
 PIN 7 ON EACH IC = GND  
 PIN 14 ON EACH IC = +5V

E1 THRU E3	INTEGRATED CKT. DEC7400N	1905575
R1 AND R3	RES. 750 1/4W 5% CC	1301401
R2 AND R4	RES. 330 1/4W 10% CC	1300293
C1 AND C2	CAP. .01MFD 100V 20% DISC	1001610
	PARTS LIST	A-PL-M13-0-0
REFERENCE DESIGNATION	DESCRIPTION	PART NO.

REVISIONS	CHK	CHG NO.	REV.
		6425	A
		6801	B
		00001	C

DRN.	DATE
<i>M. Haller</i>	3-15-67
CHK'D	DATE
<i>M. Johnson</i>	4-21-67
ENG.	DATE
<i>L. White</i>	4-21-67
PROD.	DATE

TRANSISTOR & DIODE CONVERSION CHART			
DEC	EIA	DEC	EIA

**digital**  
 EQUIPMENT CORPORATION  
 MAYNARD, MASSACHUSETTS

TITLE			
10-2 INPUT NAND GATES M13.			
SIZE	CODE	NUMBER	REV.
B	CS	M13-0-1	C
PRINTED CIRCUIT REV.			D

↑      PINK

DIST. 324/434/435