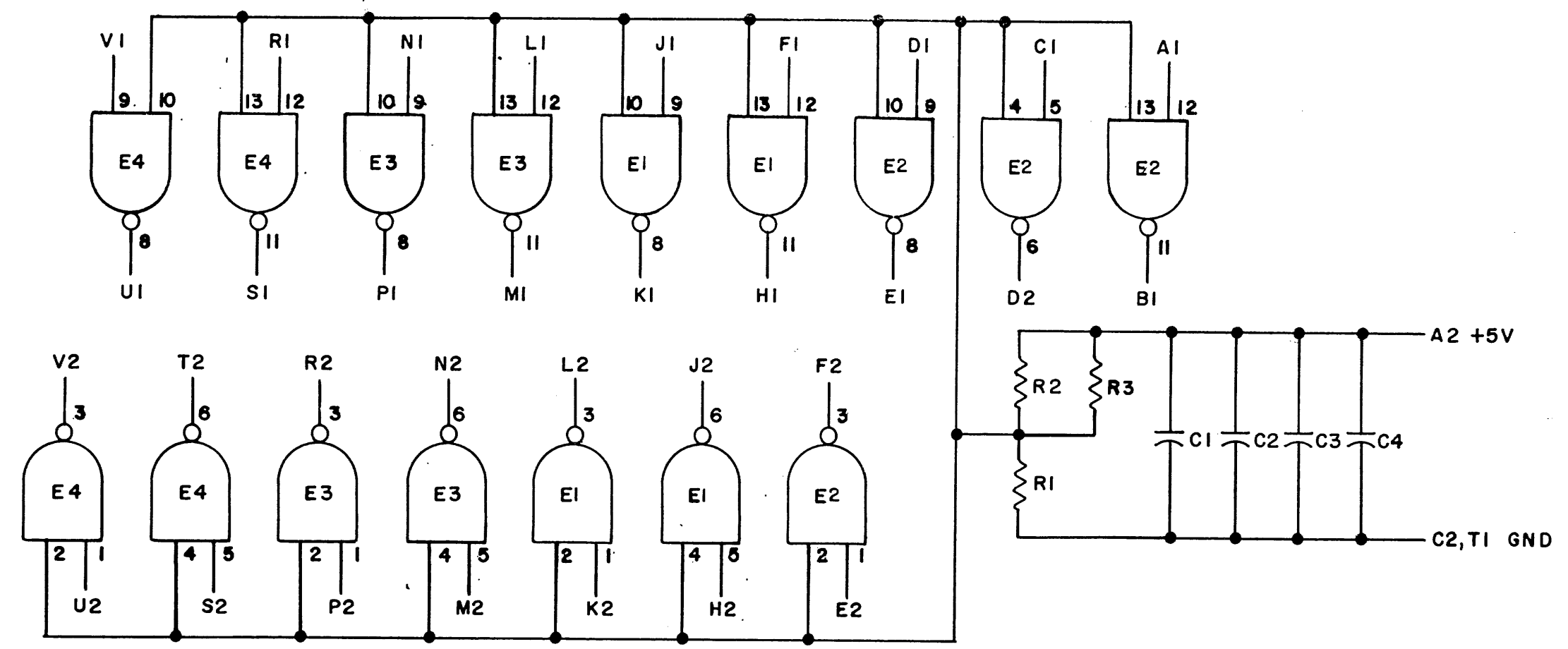




THIS SCHEMATIC IS FURNISHED ONLY FOR TEST AND MAINTENANCE PURPOSES. THE CIRCUITS ARE PROPRIETARY IN NATURE AND SHOULD BE TREATED ACCORDINGLY. COPYRIGHT 1968 BY DIGITAL EQUIPMENT CORPORATION



NOTES:  
 PIN 7 ON EACH IC = GND  
 PIN 14 ON EACH IC = +5V

E1 - E4	INTEGRATED CKT. DEC7400N	1905575
R1 - R3	RES. 750 1/4W 5% CC	1301401
C1 - C4	CAP. .01MFD 100V 20% DISC	1001610
	PARTS LIST	A-PL-MIII-0-0
REFERENCE DESIGNATION	DESCRIPTION	PART NO.

PARTS LIST

REVISIONS CHK CHG NO. REV. 00001 A	DRN. <i>m. Haller</i>	DATE 5-31-68	TRANSISTOR & DIODE CONVERSION CHART				EQUIPMENT CORPORATION MAYNARD, MASSACHUSETTS	TITLE INVERTER MIII			
	CHK'D <i>M. Haller</i>	DATE 6/11/68	DEC	EIA	DEC	EIA		SIZE B	CODE CS	NUMBER MIII-0-1	REV. A
	ENG. <i>John Egert</i>	DATE 7/5/68									
	PROD.	DATE									
PRINTED CIRCUIT REV. C											



DIST 434 4352 324