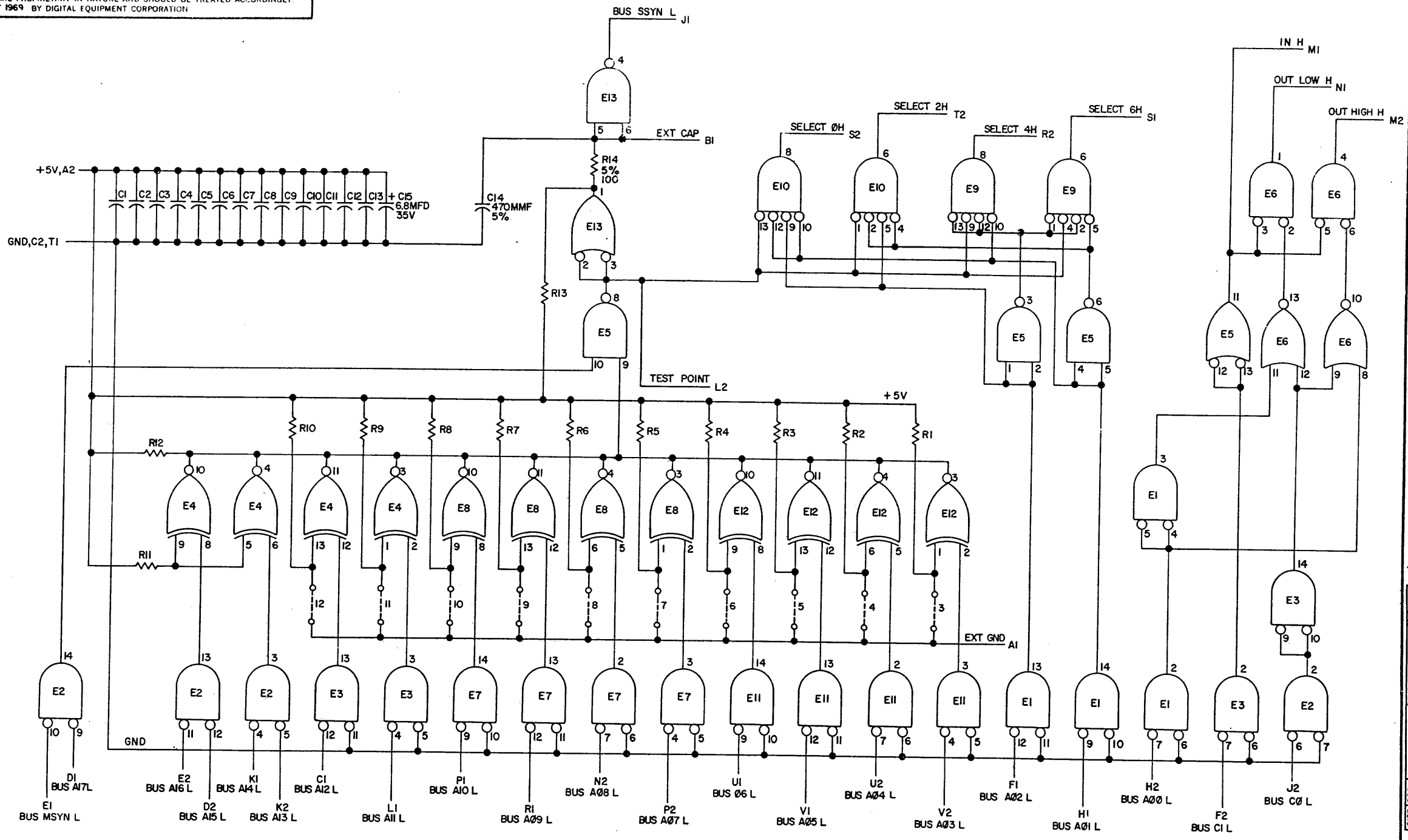


THIS SCHEMATIC IS FURNISHED ONLY FOR TEST AND MAINTENANCE PURPOSES. THE CIRCUITS ARE PROPRIETARY IN NATURE AND SHOULD BE TREATED ACCORDINGLY. COPYRIGHT 1969 BY DIGITAL EQUIPMENT CORPORATION



UNLESS OTHERWISE INDICATED:
 ○---○ INDICATES JUMPERS
 RESISTORS ARE 1K, 1/4W, 5%
 CAPACITORS ARE .01MFD, 100V, 20%
 E1, E2, E3, E7, E11 ARE DEC380
 E4, E8, E12 ARE DEC8242
 E9, E10 ARE DEC8815
 E5 IS DEC74H00
 E6 IS DEC7402
 E13 IS DEC8881
 PIN 1 ON E1, E2, E3, E7, E11 = GND
 PIN 8 ON E1, E2, E3, E7, E11 = +5V
 PIN 7 ON E4, E5, E6, E8, E9, E10, E12, E13 = GND
 PIN 14 ON E4, E5, E6, E8, E9, E10, E12, E13 = +5V

REV. NO.	CHG. NO.	REV.
1	00002	A
2		B

DRN	DATE
<i>A. Poley</i>	11-26-68
CHK'D	DATE
<i>J. L. ...</i>	1-9-70
ENG	DATE
<i>...</i>	3-2-70
PROD	DATE
<i>...</i>	7-9-70

TRANSISTOR & DIODE CONVERSION CHART			
DEC	EIA	DEC	EIA

digital
 EQUIPMENT CORPORATION
 MAYNARD, MASSACHUSETTS

TITLE: ADDRESS SELECTOR MI05

SIZE C	CODE CS	NUMBER MI05-0-1	REV. B
--------	---------	-----------------	--------

PRINTED CIRCUIT REV. C

REV. B
 NUMBER MI05-0-1
 SIZE CODE C CS