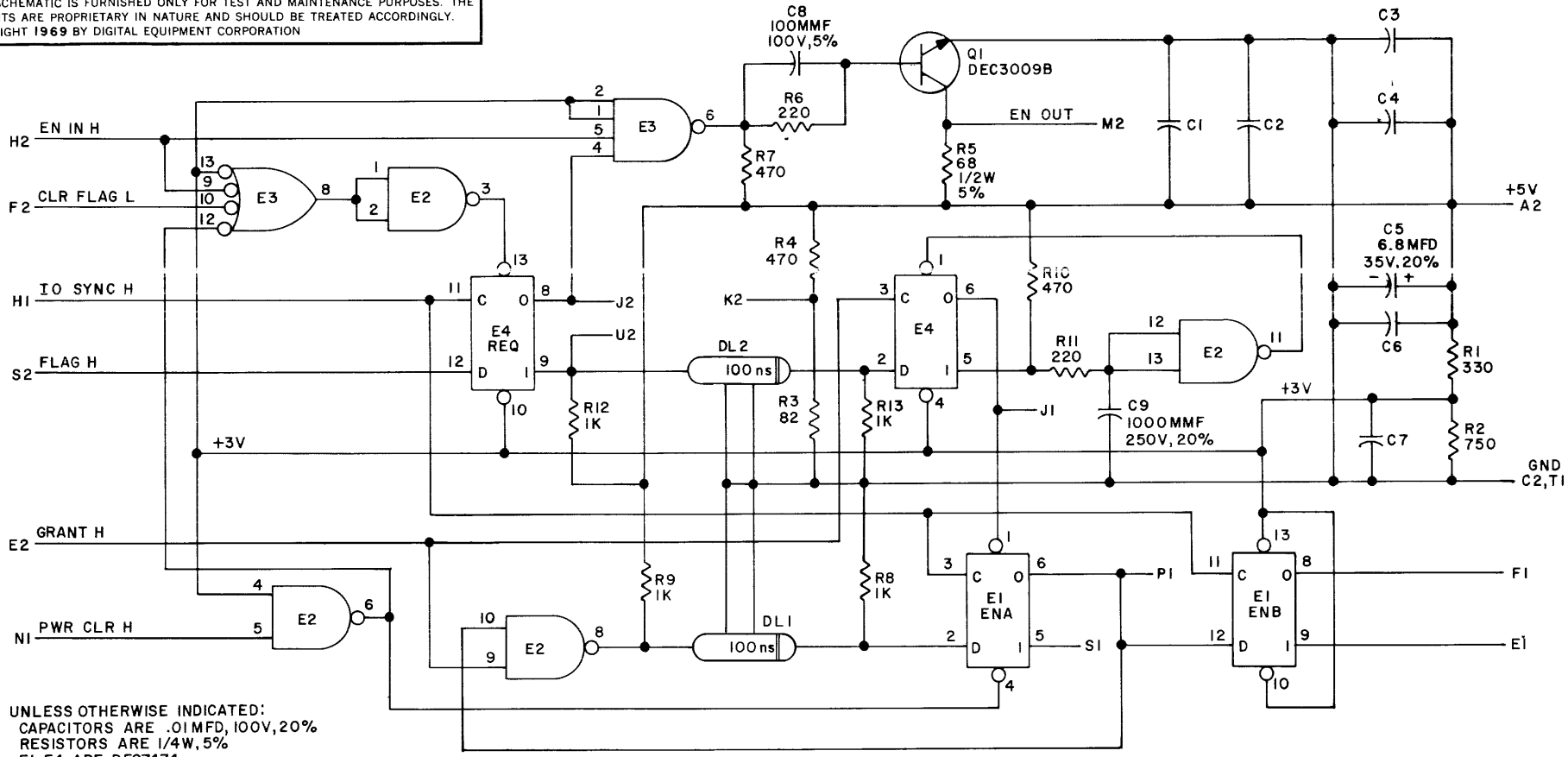


REV.	E
NUMBER	M104-0-1
SIZE CODE	B CS

THIS SCHEMATIC IS FURNISHED ONLY FOR TEST AND MAINTENANCE PURPOSES. THE CIRCUITS ARE PROPRIETARY IN NATURE AND SHOULD BE TREATED ACCORDINGLY. COPYRIGHT 1969 BY DIGITAL EQUIPMENT CORPORATION



UNLESS OTHERWISE INDICATED:
 CAPACITORS ARE .01MFD, 100V, 20%
 RESISTORS ARE 1/4W, 5%
 E1, E4 ARE DEC7474
 E2 IS DEC7400
 E3 IS DEC74H40
 PIN 7 ON EACH IC = GND
 PIN 14 ON EACH IC = +5V

M104-4

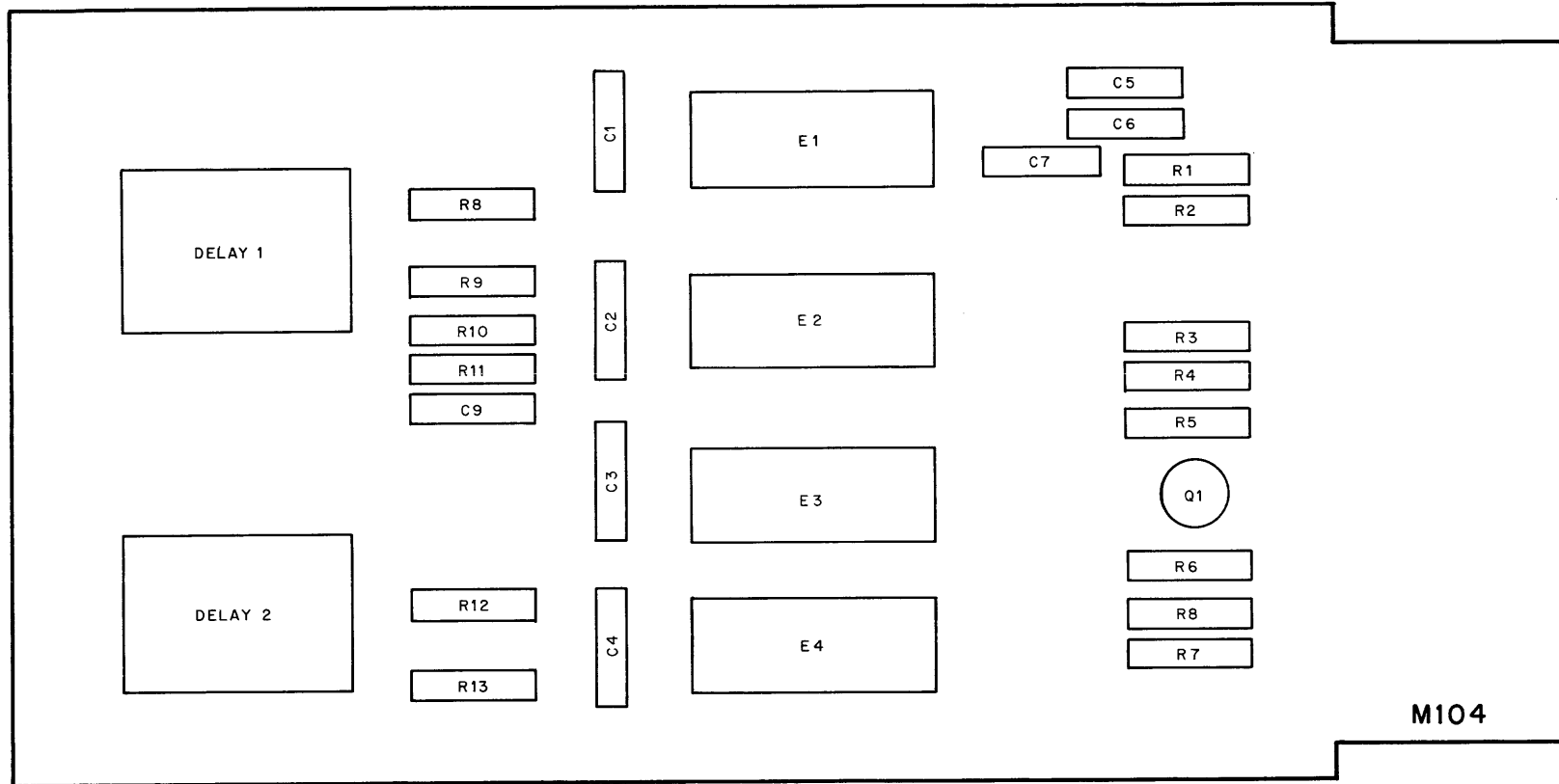
REVISIONS	CHK CHG NO.	REV.	DRN.	R. GUTIERREZ	DATE	TRANSISTOR & DIODE CONVERSION CHART				TITLE	I/O BUS MULTIPLEXER		
	B	00002		A. YAUGA	3-13-69	DEC	EIA	DEC	EIA		M104		
	C	00003	ENG.	J. GODBOUT	DATE	DEC3009B	2N3009			SIZE	CODE	NUMBER	REV.
	D	00004			4-7-69					B	CS	M104-0-1	E
	E	00005	PROD.							PRINTED CIRCUIT REV. D			

DEC FORM NO. DRB 102

digital
 EQUIPMENT CORPORATION
 MAYNARD, MASSACHUSETTS

PINK DIST. 1,435

M104-5



M104