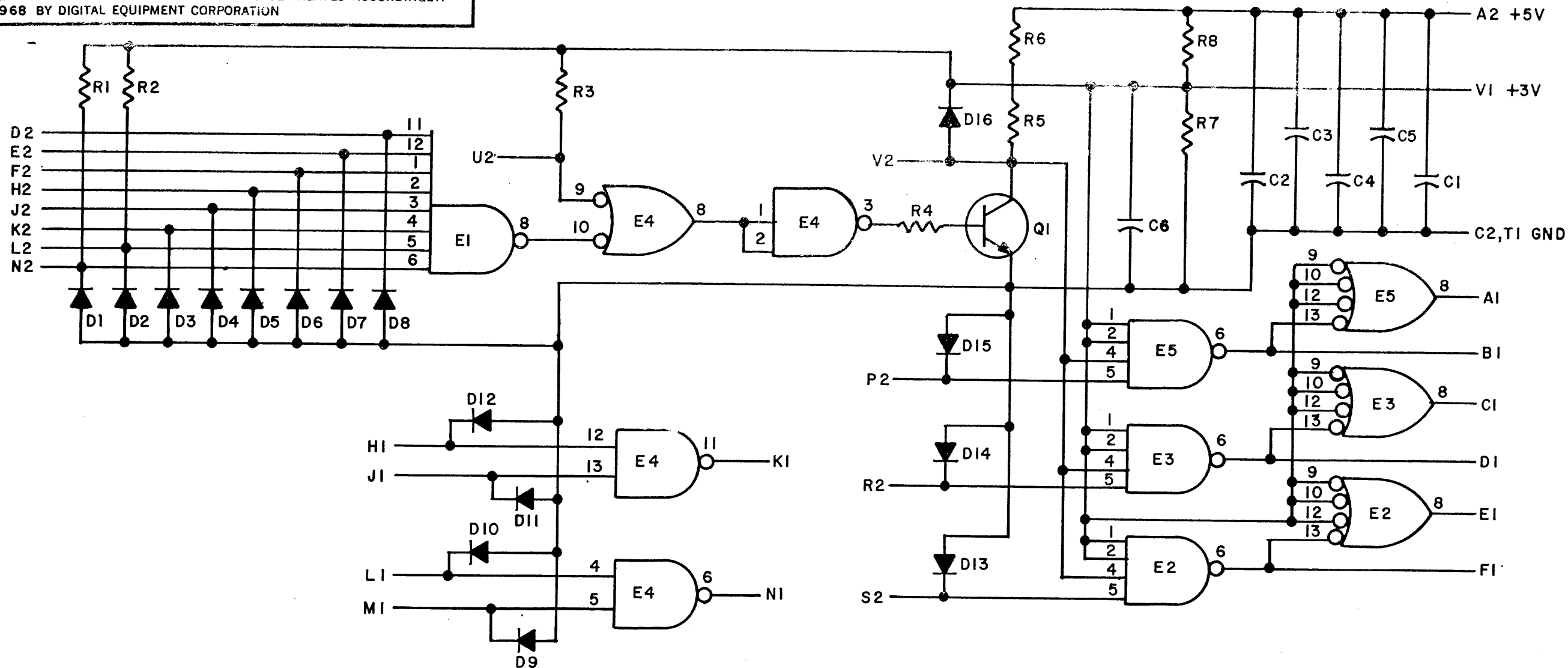
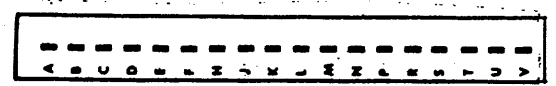


THIS SCHEMATIC IS FURNISHED ONLY FOR TEST AND MAINTENANCE PURPOSES. THE CIRCUITS ARE PROPRIETARY IN NATURE AND SHOULD BE TREATED ACCORDINGLY. COPYRIGHT 1968 BY DIGITAL EQUIPMENT CORPORATION

REV. C  
 NUMBER M103-0-1  
 SIZE CODE B CS 8



Q1	TRANSISTOR DEC3009B-S	1503100
E4	INTEGRATED CKT. DEC7400N	1905575
E2, E3, E5	INTEGRATED CKT. DEC74H40N	1905586
E1	INTEGRATED CKT. DEC7430N	1905578
R8	RES. 330 1/4W 5% CC	1300295
R4-R7	RES. 750 1/4W 5% CC	1301401
R1, R2, R3	RES. 8.2K 1/4W 5% CC	1303179
D1-D16	DIODE D664	1100114
C1-C6	CAP. .01MFD 100V 20% DISC	1001610
PARTS LIST		A-PL-M103-0-0
REFERENCE DESIGNATION	DESCRIPTION	PART NO.



REVISIONS	CHK	CHG NO.	REV.	A	C	DRN.	M. Keller	DATE	10-4-68	TRANSISTOR & DIODE CONVERSION CHART				TITLE	digital	EQUIPMENT CORPORATION	MAYNARD, MASSACHUSETTS	SIZE	CODE	NUMBER	REV.
	00001	00002	3-12-69							DEC	EIA	DEC	EIA								
						ENG.	G. Younger	DATE	11/27/68	DEC3009B	2N3009										
						PROD.		DATE		D664	1N3606										
PRINTED CIRCUIT REV. B																					