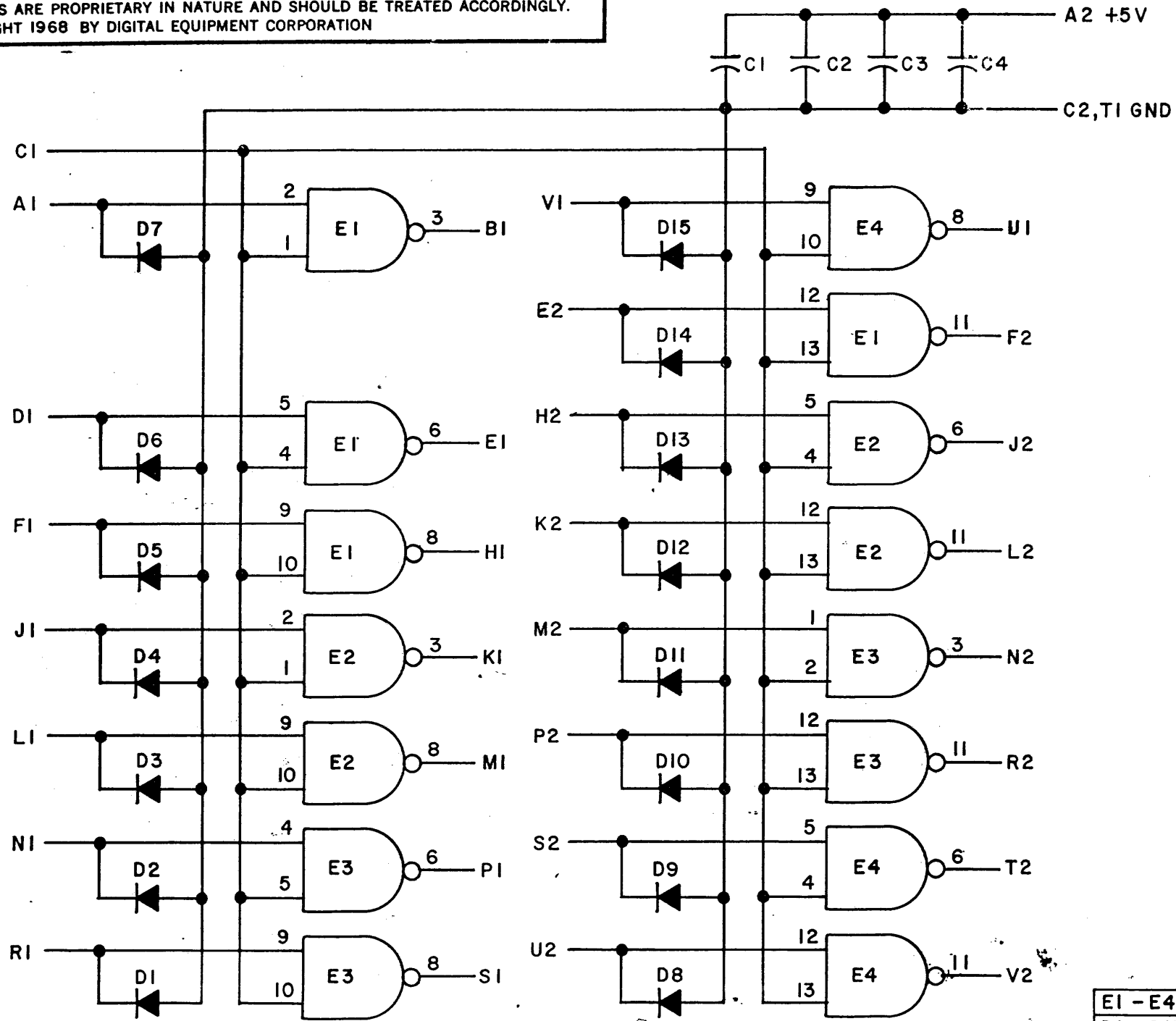


THIS SCHEMATIC IS FURNISHED ONLY FOR TEST AND MAINTENANCE PURPOSES. THE CIRCUITS ARE PROPRIETARY IN NATURE AND SHOULD BE TREATED ACCORDINGLY. COPYRIGHT 1968 BY DIGITAL EQUIPMENT CORPORATION



E1 - E4	INTEGRATED CKT. DEC7400N	1905575
D1 - D15	DIODE D664	1100114
C1 - C4	CAP. .01MFD 100V 20% DISC	1001610
	PARTS LIST	A-PL-M101-0-0
REFERENCE DESIGNATION	DESCRIPTION	PART NO.
PARTS LIST		

REVISIONS CHK CHG NO. REV. 00001 B	DRN. <i>M. Keller</i> DATE 8-5-68	TRANSISTOR & DIODE CONVERSION CHART		<b>digital</b> EQUIPMENT CORPORATION MAYNARD, MASSACHUSETTS	TITLE BUS DATA INTERFACE M101		
	CHK'D <i>M. Keller</i> DATE 8-6-68	DEC    EIA D664    IN3606			SIZE B	CODE CS	NUMBER M101-0-1
	ENG. <i>J. D. O'Connell</i> DATE 9/16/68			PRINTED CIRCUIT REV.    A			
	PROD. DATE			DIST. 324   437   435 <sup>2</sup>			