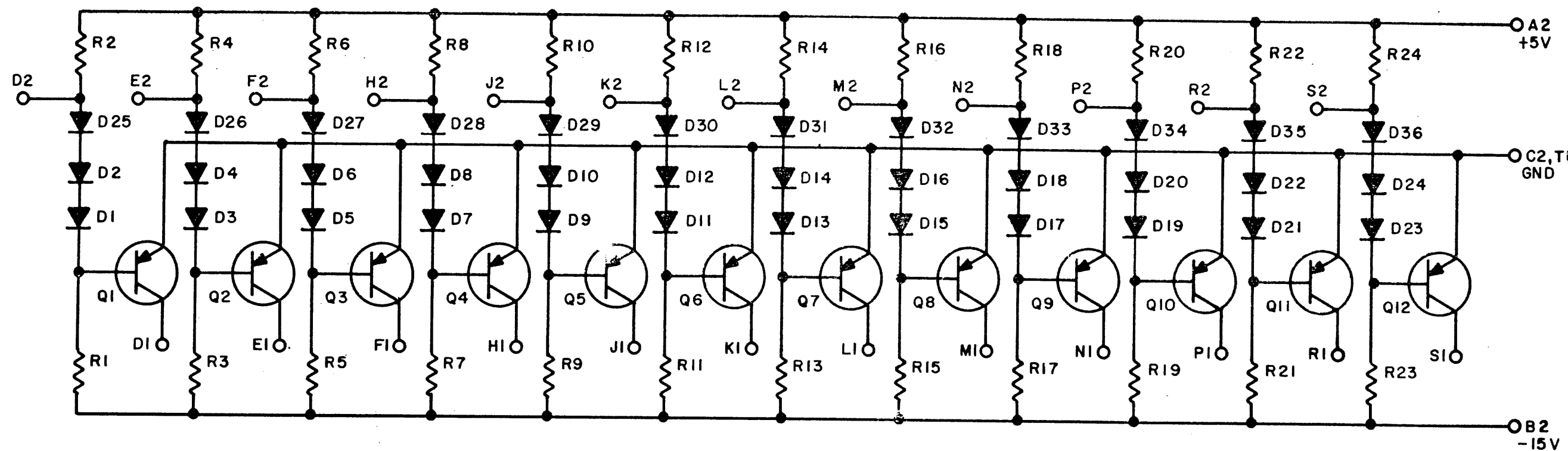


THIS SCHEMATIC IS FURNISHED ONLY FOR TEST AND MAINTENANCE PURPOSES. THE CIRCUITS ARE PROPRIETARY IN NATURE AND SHOULD BE TREATED ACCORDINGLY. COPYRIGHT 1967 BY DIGITAL EQUIPMENT CORPORATION

REV. 0 NUMBER 1-0-09CW CS B SIZE



Q1 - Q12	TRANSISTOR DEC6534D	1503409
R20, R22, R24	RES. 1.5K 1/4W 5% CC	1300391
R2, R4, R6, R8, R10, R12, R14, R16, R18	RES. 15K 1/4W 5% CC	1300496
R21, R23	RES. 15K 1/4W 5% CC	1300496
R1, R3, R5, R7, R9, R11, R13, R15, R17, R19,		
D1 - D36	DIODE D664	1100114
	PARTS LIST	A PL-M050-0-0
REFERENCE DESIGNATION	DESCRIPTION	PART NO.

PARTS LIST

REVISIONS CHK CHG NO. REV. 6612 C 6896 D	DRN. <i>M. Haller</i>	DATE 5-25-67	TRANSISTOR & DIODE CONVERSION CHART		digital EQUIPMENT CORPORATION MAYNARD, MASSACHUSETTS	TITLE 50 MA INDICATOR AND RELAY DRIVER M050				
	CHK'D <i>M. [unclear]</i>	DATE 5-25-67	DEC	EIA		SIZE B	CODE CS	NUMBER M050-0-1	REV. D	
	ENG. <i>J. Ricketts</i>	DATE 5-25-67	DEC6534D	MPS6534						
	PROD. 2	DATE	D664	IN3606						

PINK

DIST. 324 434 435²