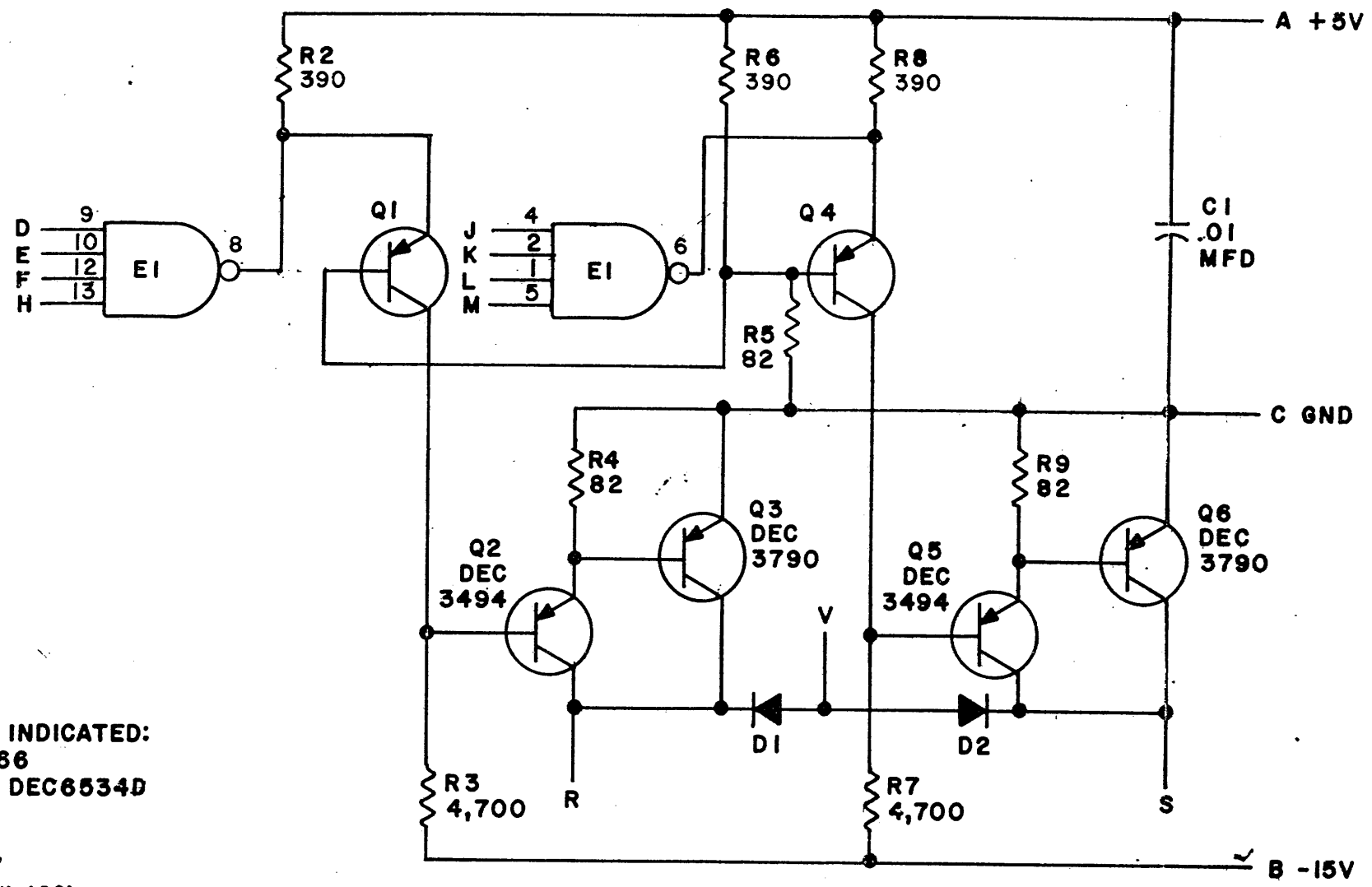
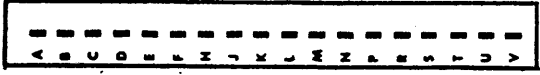


THIS SCHEMATIC IS FURNISHED ONLY FOR TEST AND MAINTENANCE PURPOSES. THE CIRCUITS ARE PROPRIETARY IN NATURE AND SHOULD BE TREATED ACCORDINGLY. COPYRIGHT 1967 BY DIGITAL EQUIPMENT CORPORATION



UNLESS OTHERWISE INDICATED:  
 DIODES ARE MR2066  
 TRANSISTORS ARE DEC6534D  
 E1 IS DEC7420N  
 PIN 7 ON IC = GND  
 PIN 14 ON IC = +5V  
 RESISTORS ARE 1/4W, 10%



PARTS LIST A-PL-M040-0-0

REVISIONS	CHK NO.	REV.	DRN. <i>M. Keller</i>	DATE	TRANSISTOR & DIODE CONVERSION CHART				TITLE SOLENOID DRIVER M040			
	00001	E		9-14-67	DEC	EIA	DEC	EIA		SIZE	CODE	NUMBER
	00002		CHK'D	DATE	DEC3494	SAME			B	CS	M040-0-1	E
			ENG	DATE	DEC3790	2N3790			EQUIPMENT CORPORATION			
			PROD. 4	DATE	DEC6534D	MPS6534			MAYNARD, MASSACHUSETTS			
					D662	IN645			PRINTED CIRCUIT REV.			
					MR2066	IN4003						