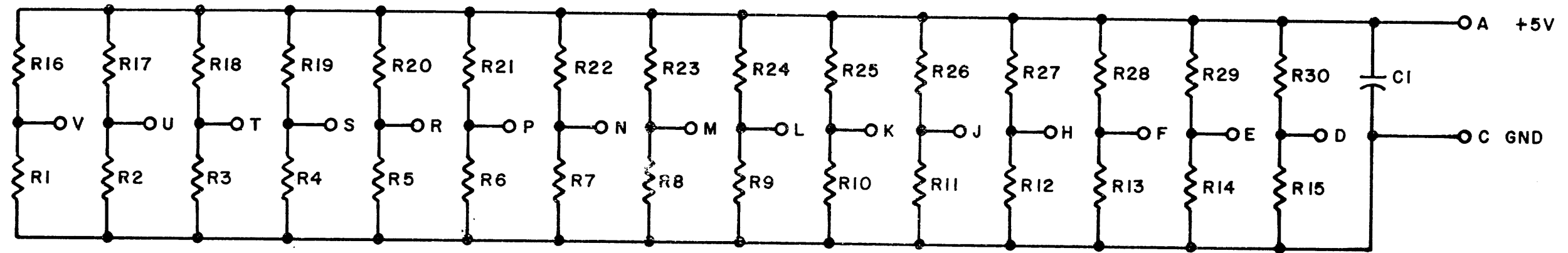


THIS SCHEMATIC IS FURNISHED ONLY FOR TEST AND MAINTENANCE PURPOSES. THE CIRCUITS ARE PROPRIETARY IN NATURE AND SHOULD BE TREATED ACCORDINGLY. COPYRIGHT 1968 BY DIGITAL EQUIPMENT CORPORATION



A B C D E F G H I J K L M N O P Q R S T U V W X Y Z

R16 - R30	RES. 1.8K 1/4W 10% CC	1301428
R1 - R15	RES. 3.3K 1/4W 5% CC	1300439
C1	CAP. .01MFD 100V 20% DISC	1001610
	PARTS LIST	A-PL-M002-0-0
REFERENCE DESIGNATION	DESCRIPTION	PART NO.

REVISIONS CHK CHG NO. REV.	DRN. <i>m. Walker</i>	DATE 6-21-68	TRANSISTOR & DIODE CONVERSION CHART				digital EQUIPMENT CORPORATION MAYNARD, MASSACHUSETTS	TITLE 15 LOADS M002			
	CHK'D <i>m. Mullen</i>	DATE 6/21/68	DEC	EIA	DEC	EIA		SIZE B	CODE CS	NUMBER M002-0-1	REV.
	ENG. <i>White</i>	DATE 7/8/68						PRINTED CIRCUIT REV. A			
	PROD.	DATE									