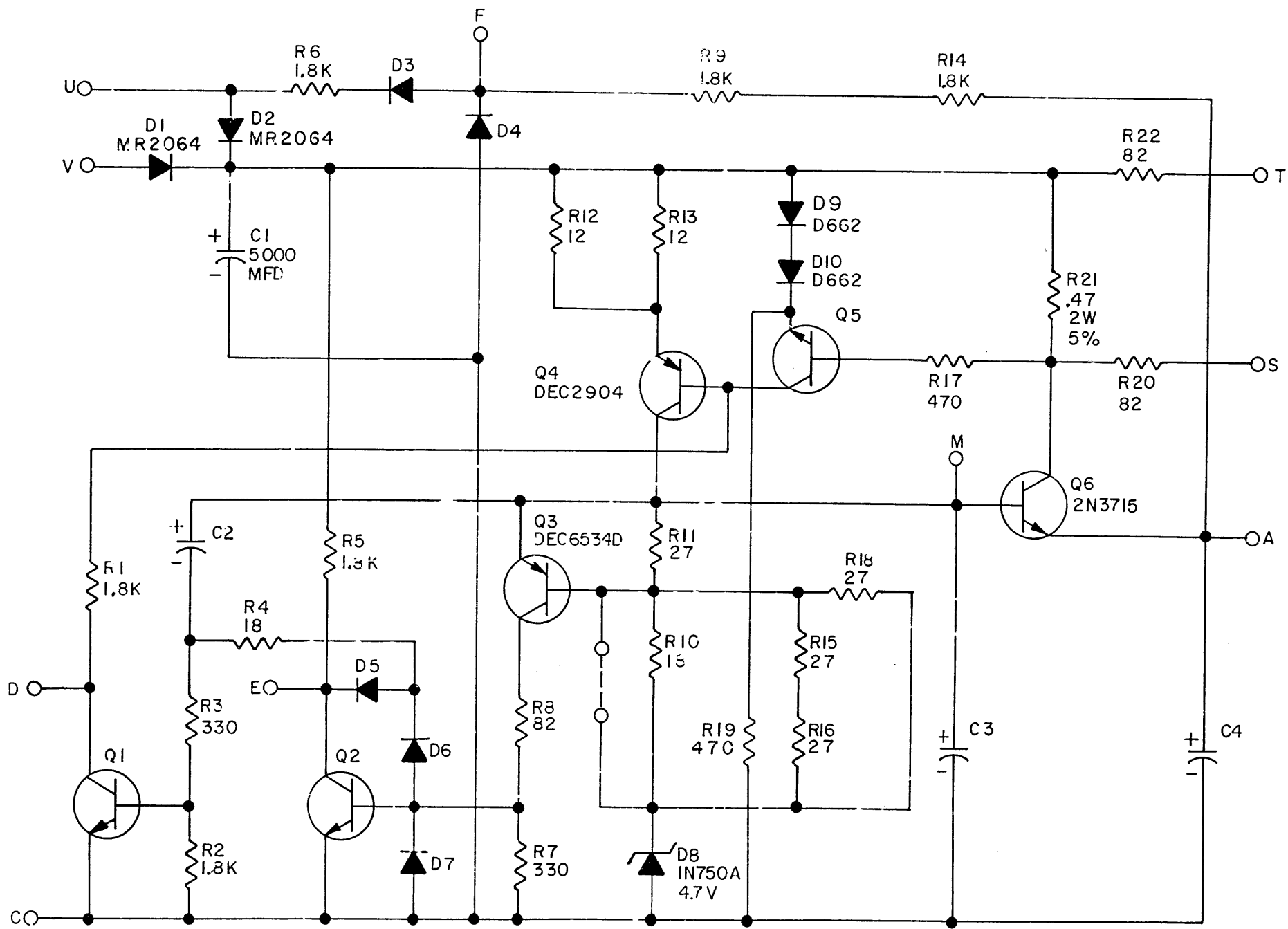


THIS SCHEMATIC IS FURNISHED ONLY FOR TEST AND MAINTENANCE PURPOSES. THE CIRCUITS ARE PROPRIETARY IN NATURE AND SHOULD BE TREATED ACCORDINGLY. COPYRIGHT 1967 BY DIGITAL EQUIPMENT CORPORATION

REV. NUMBER SIZE CODE



UNLESS OTHERWISE INDICATED:  
 DIODES ARE D600  
 RESISTORS ARE 1/4W 10%  
 TRANSISTORS ARE DEC I  
 CAPACITORS ARE 39MFD 10V 10%

REVISIONS	CHK	CHG NO.	REV
	RMS	6756	C
	REV. B REDR.		
	P.	00001	D
	P.	00002	E
	A. RICKETTS		

DRN. M. HALLER	DATE 5-2-67
CHK'D R. SILVERMAN	DATE 5-5-67
ENG. R. DOANE	DATE 5-22-67
PROD.	DATE

TRANSISTOR & DIODE CONVERSION CHART			
DEC		EIA	
D600	IN4009	2N3715	NONE
IN750A	SAME	DEC2904	SAME
MR2064	IN4001	DEC1	2N3721
D662	IN645		
DEC6534D	MPS6534		

**digital**  
 EQUIPMENT CORPORATION  
 MAYNARD, MASSACHUSETTS

TITLE SOURCE MODULE K731			
SIZE B	CODE CS	NUMBER K731-0-1	REV. E
PRINTED CIRCUIT REV.			E