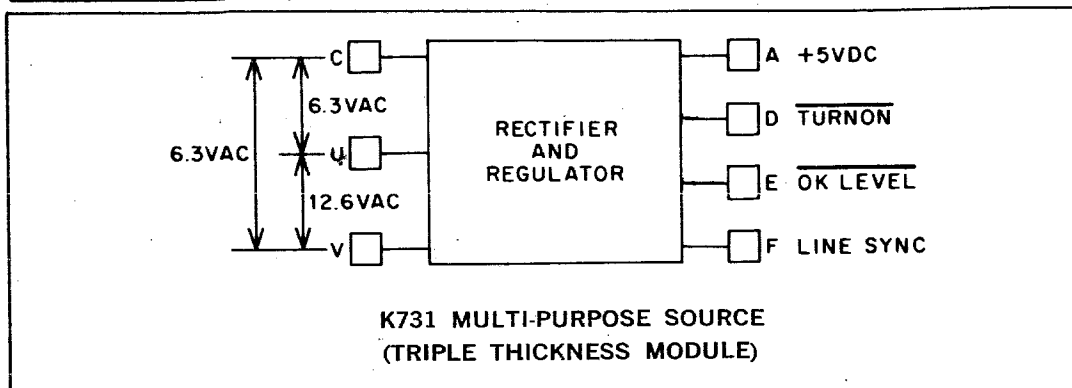


**MULTI-PURPOSE SOURCE
TYPE K731**

**K
SERIES**



The K731 provides several specialized once-per-system control functions, in addition to operating power. Any source of center-tapped 12.6v (50 or 60 hz) allows the K731 to deliver up to 1 amp dc, which is sufficient to operate most typical control systems of up to 32 modules. This module is normally plugged into one of the innermost sockets on a K941 mounting bar, where its large components occupy space otherwise unused. The K731 is short-circuit proof.

The turn-on level output is at ground during the power up transient only, and may be used to initialize flip-flops to achieve a known startup state. This output remains at ground until after the supply voltage has fully reached its quiescent value. Fanout: 15 ma.

The OK Level output goes to ground as the supply voltage reaches 90% of its final value, and returns positive when less than 90% of full voltage is available. Fanout: 15 ma.

The line sync output allows a K113 or K123 gate to switch in synchronism with ac supply zero-crossings. This permits the use of line frequency to build a real-time clock, or as the standard in a phase-locked loop with K303 timers, where higher frequencies must be synchronized with the line. Fan-out: 1 ma.

K731 — \$24.00