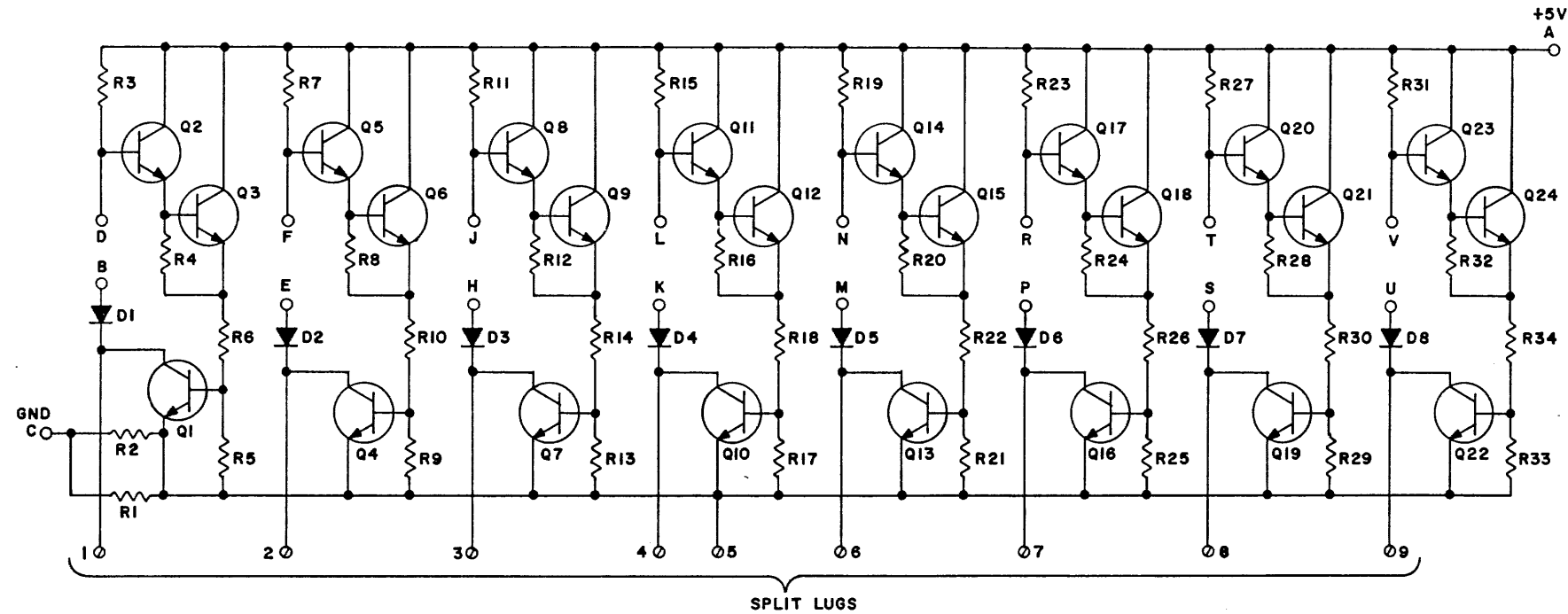


THIS SCHEMATIC IS FURNISHED ONLY FOR TEST AND MAINTENANCE PURPOSES. THE CIRCUITS ARE PROPRIETARY IN NATURE AND SHOULD BE TREATED ACCORDINGLY. COPYRIGHT 1967 BY DIGITAL EQUIPMENT CORPORATION



| | | |
|---------------------------------------------------------------------------------|-----------------------|---------------|
| Q17, Q18, Q20, Q21, Q23, Q24 | TRANSISTOR DECO001 | 1505369 |
| Q2, Q3, Q5, Q6, Q8, Q9, Q11, Q12, Q14, Q15, Q1, Q4, Q7, Q10, Q13, Q16, Q19, Q22 | TRANSISTOR DEC3568 | 1502937 |
| R1, R2 | RES. 0.47 2W 5% WW | 1305258 |
| R6, R10, R14, R18, R22, R26, R30, R34 | RES. 150 1/4W 10% CC | 1300252 |
| R19-R21, R23-R25, R27-R29, R31-R33, R3-R5, R7-R9, R11-R13, R15-R17, | RES. 4.7K 1/4W 10% CC | 1300448 |
| D1 - D8 | D672 | 1105275 |
| | PARTS LIST | A-PL-K683-O-O |
| REFERENCE DESIGNATION | DESCRIPTION | PART NO. |

| PARTS LIST | | TITLE | |
|-------------------------------|---------------|-------------------------------|---------|
| DRN. <i>M. Haller</i> | DATE 10-27-67 | DRIVER K683 | |
| CHK'D <i>[Signature]</i> | DATE 11/2/67 | digital EQUIPMENT CORPORATION | |
| ENG. <i>R. P. [Signature]</i> | DATE 11/2/67 | SIZE C | CODE CS |
| PROD. | DATE | NUMBER K683-0-1 | REV. A |
| | | PRINTED CIRCUIT REV. B | |

| REVISIONS | CHK | CHG NO. | REV. |
|-----------|-----|---------|------|
| | | 7038 | A |

DEC FORM NO. DRC 102

| TRANSISTOR & DIODE CONVERSION CHART | | | |
|-------------------------------------|--------|-----|-----|
| DEC | EIA | DEC | EIA |
| DEC1 | 2N3721 | | |
| DEC3568 | 2N3568 | | |
| D672 | IN3653 | | |

PINK

DIST 324 434 425

SIZE CODE C CS NUMBER K683-0-1 REV. A