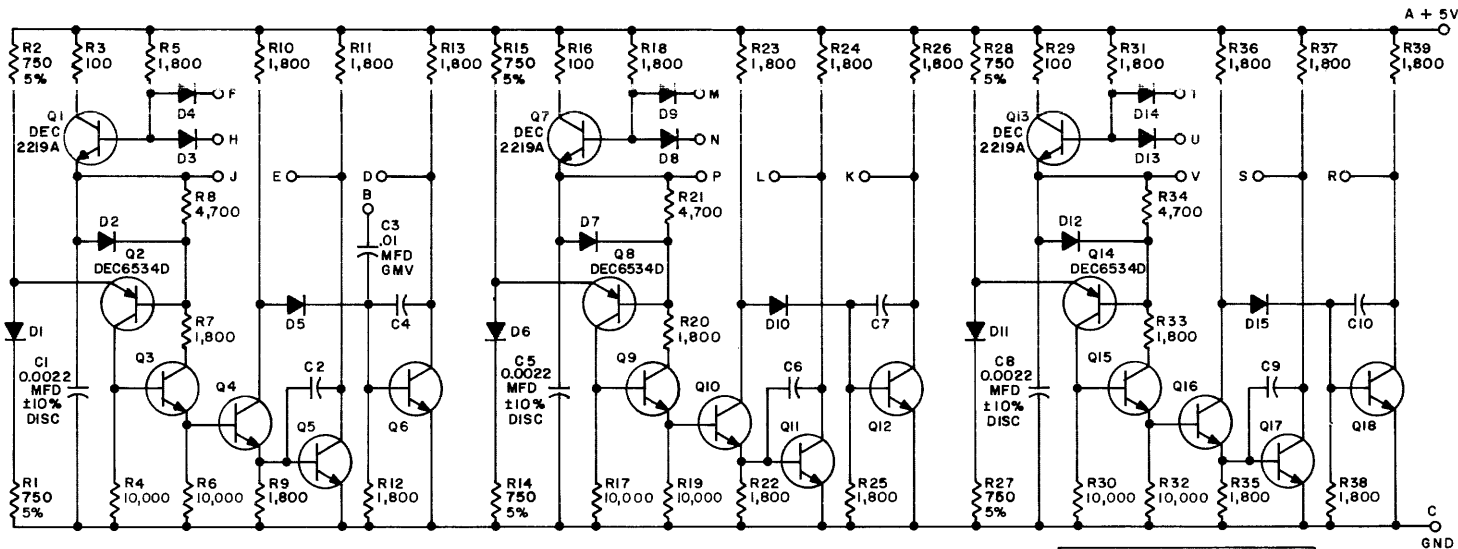
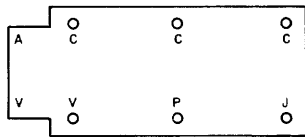


THIS SCHEMATIC IS FURNISHED ONLY FOR TEST AND MAINTENANCE PURPOSES. THE CIRCUITS ARE PROPRIETARY IN NATURE AND SHOULD BE TREATED ACCORDINGLY. COPYRIGHT 1967 BY DIGITAL EQUIPMENT CORPORATION.



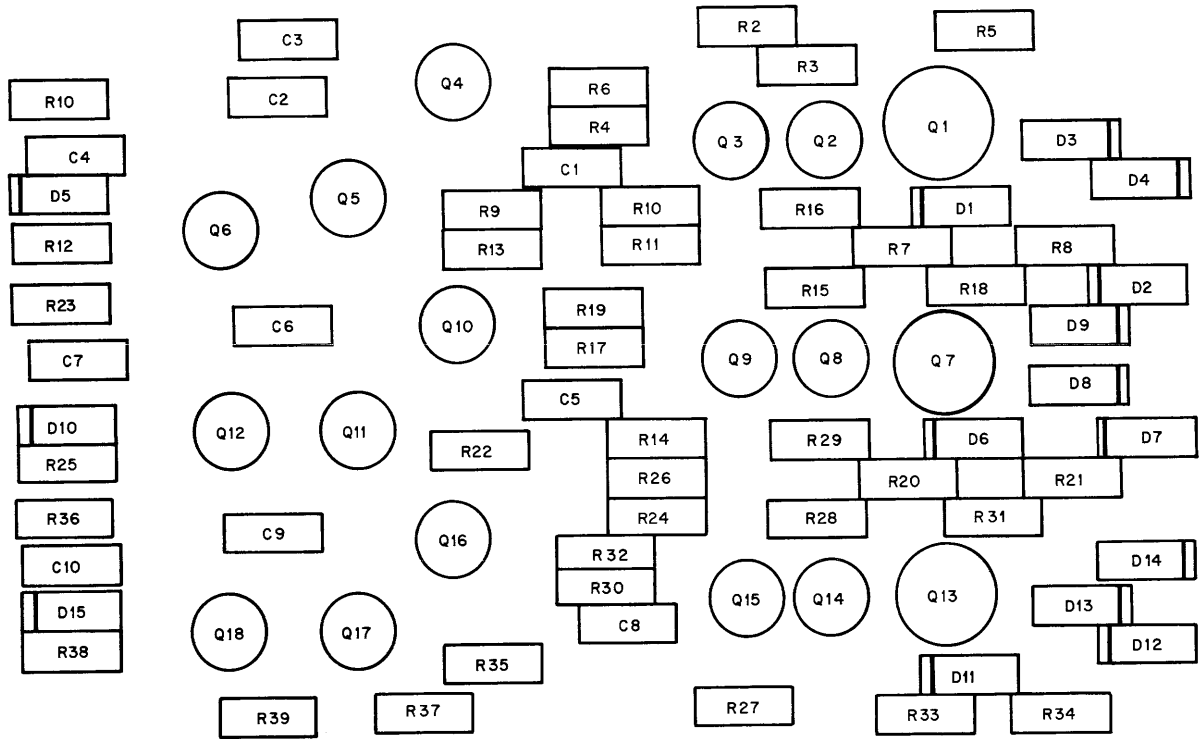
UNLESS OTHERWISE INDICATED:
 TRANSISTORS ARE DECI
 DIODES ARE D600
 RESISTORS ARE 1/4W, 10%
 CAPACITORS ARE 680 MMFD ±10%
 ERIE 309 OR EQUIV.

PARTS LIST IS A-PL-K303-0-0



VIEWED FROM ETCHED SIDE

REVISIONS CHK/CHG NO. REV. B 6437 C 100001				DRN. <i>Dr. Ballen</i> DATE 4-19-67 CHK'D <i>L. Johnson</i> DATE 10/16/67 ENG. <i>R. Jones</i> DATE 4/27/67 PROD. I DATE		TRANSISTOR & DIODE CONVERSION CHART DEC EIA DEC1 2N3721 DEC6534D MP96534 D600 IN4009 DEC2219A 2N2219				TITLE THREE TIMERS K303	
digital EQUIPMENT CORPORATION MAYNARD, MASSACHUSETTS						SIZE B CODE CS NUMBER K303-0-1 REV C					
PRINTED CIRCUIT REV B											



K 303