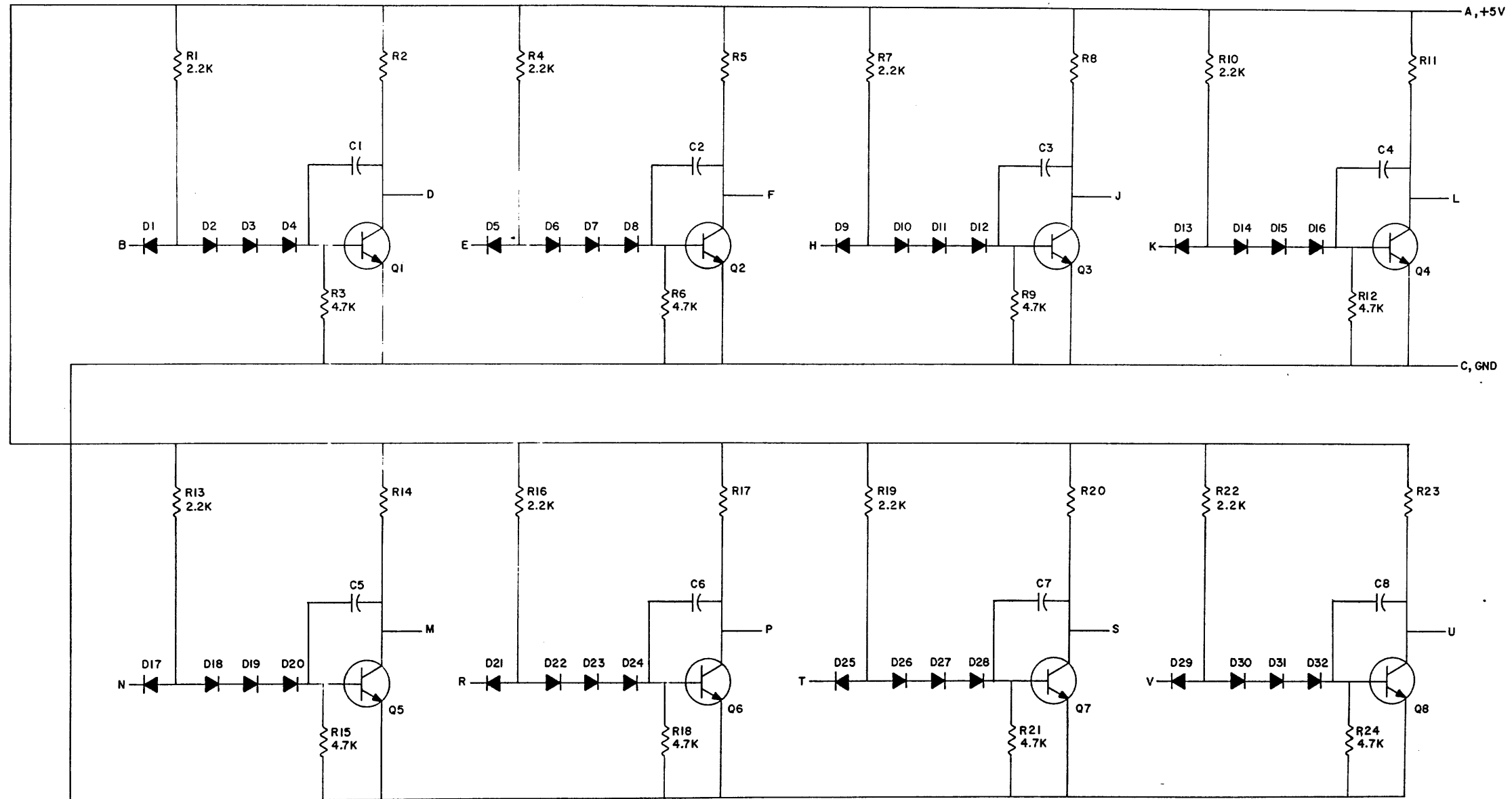


THIS SCHEMATIC IS FURNISHED ONLY FOR TEST AND MAINTENANCE PURPOSES. THE CIRCUITS ARE PROPRIETARY IN NATURE AND SHOULD BE TREATED ACCORDINGLY. COPYRIGHT 1970 BY DIGITAL EQUIPMENT CORPORATION



UNLESS OTHERWISE INDICATED:
 RESISTORS ARE 1/8K, 1/4W, 10%
 CAPACITORS ARE 270pf, 100V, 5%
 DIODES ARE D600
 TRANSISTORS ARE DEC6531

REV. A
 NUMBER
 K138-0-1
 CS
 SIZE CODE
 C

REV.	CHG. NO.	REV.

DESIGNED BY <i>A. Cooper</i>	DATE 7-1-70
CHECK'D BY <i>D. Egan</i>	DATE 8-2-70
PROD. BY <i>D. Egan</i>	DATE

TRANSISTOR & DIODE CONVERSION CHART			
DEC	EIA	DEC	EIA
D600	1N4009		
DEC6531	MPS 6531		

digital
 EQUIPMENT CORPORATION
 MAYNARD, MASSACHUSETTS

TITLE		EIGHT INVERTERS	
NUMBER		K138	
SIZE	CODE	NUMBER	REV.
C	CS	K138-0-1	A
PRINTED CIRCUIT REV.			