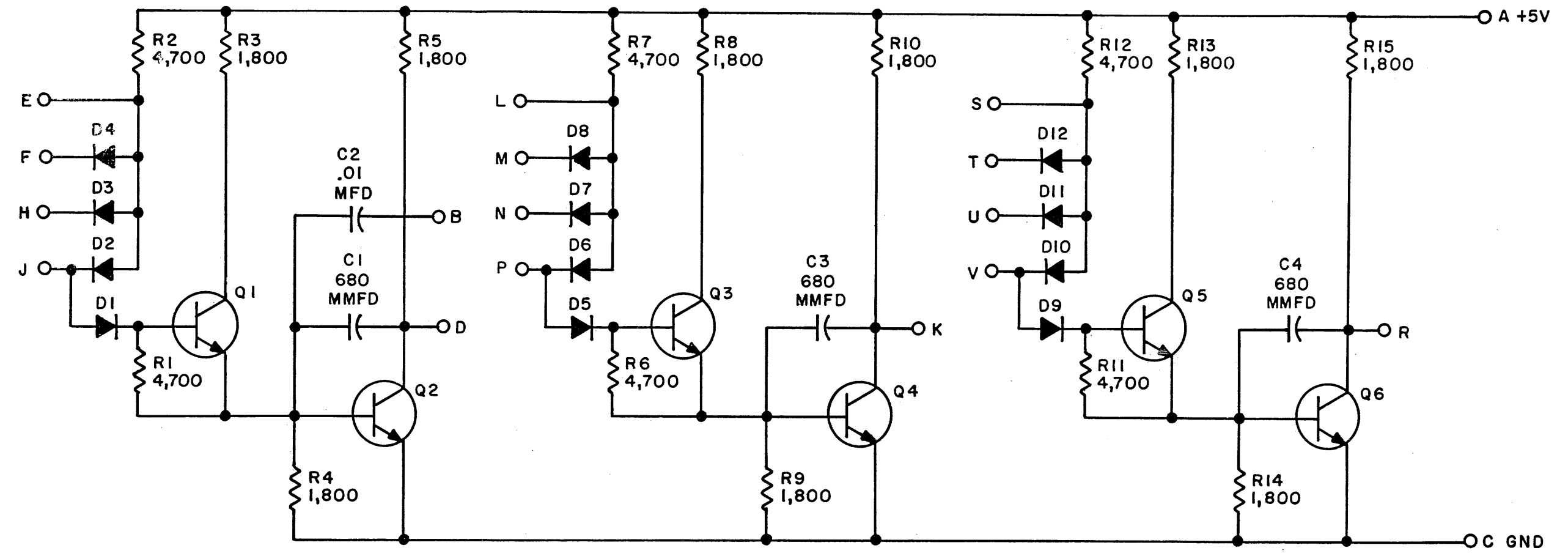


THIS SCHEMATIC IS FURNISHED ONLY FOR TEST AND MAINTENANCE PURPOSES. THE CIRCUITS ARE PROPRIETARY IN NATURE AND SHOULD BE TREATED ACCORDINGLY. COPYRIGHT 1967 BY DIGITAL EQUIPMENT CORPORATION



UNLESS OTHERWISE INDICATED:  
 DIODES ARE D600  
 RESISTORS ARE 1/4W, 10%  
 TRANSISTORS ARE DEC1  
 MMFD CAPACITORS ARE ERIE 309, 10% OR EQUIV.



REVISIONS CHK CHG NO.   REV.	DRN. <i>M. Keller</i>	DATE 3-27-67	TRANSISTOR & DIODE CONVERSION CHART				 EQUIPMENT CORPORATION MAYNARD, MASSACHUSETTS	TITLE INVERTING GATE K113			
	CHK'D	DATE	DEC	EIA	DEC	EIA		SIZE	CODE	NUMBER	REV.
	ENG.	DATE	D600	IN4009				B	CS	K113-0-1	
	PROD.	DATE	DEC1	2N3721				PRINTED CIRCUIT REV.			A