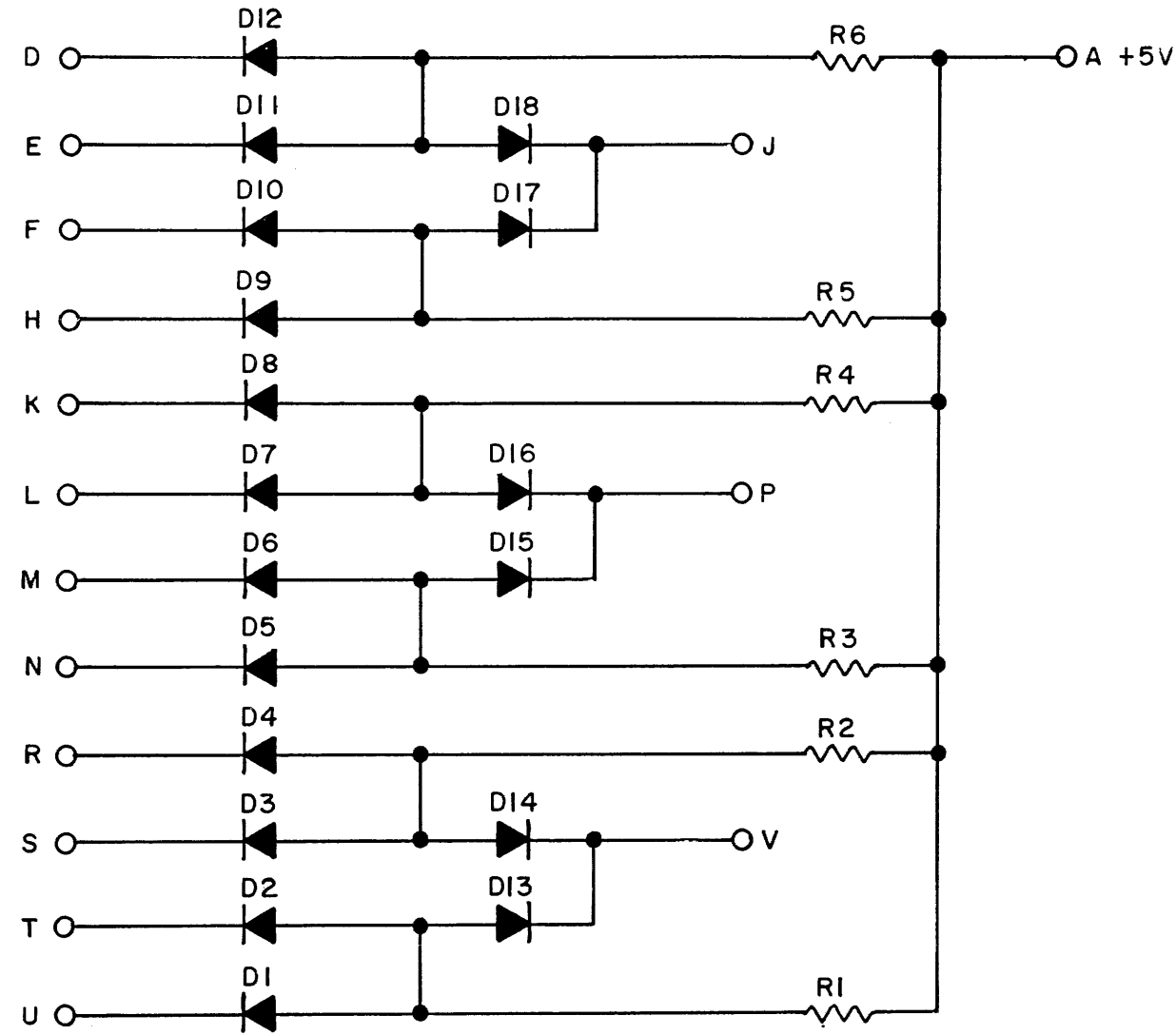


THIS SCHEMATIC IS FURNISHED ONLY FOR TEST AND MAINTENANCE PURPOSES. THE CIRCUITS ARE PROPRIETARY IN NATURE AND SHOULD BE TREATED ACCORDINGLY. COPYRIGHT 1968 BY DIGITAL EQUIPMENT CORPORATION



 <----->

R1 - R6	RES. 4.7K 1/4W 10% CC	1300448
D1 - D18	DIODE D600	1105366
	PARTS LIST	A-PL-K026-0-0
REFERENCE DESIGNATION	DESCRIPTION	PART NO.

REVISIONS	CHK CHG NO. REV.

DRN.	DATE
<i>M. Waller</i>	5-2-68
CHK'D	DATE
ENG.	DATE
<i>R. P. ...</i>	5/1/68
PROD.	DATE

TRANSISTOR & DIODE CONVERSION CHART			
DEC	EIA	DEC	EIA
D600	IN4009		

digital
 EQUIPMENT CORPORATION
 MAYNARD, MASSACHUSETTS

TITLE: GATE EXPANDER K026

SIZE	CODE	NUMBER	REV.
B	CS	K026-0-1	

PRINTED CIRCUIT REV. A