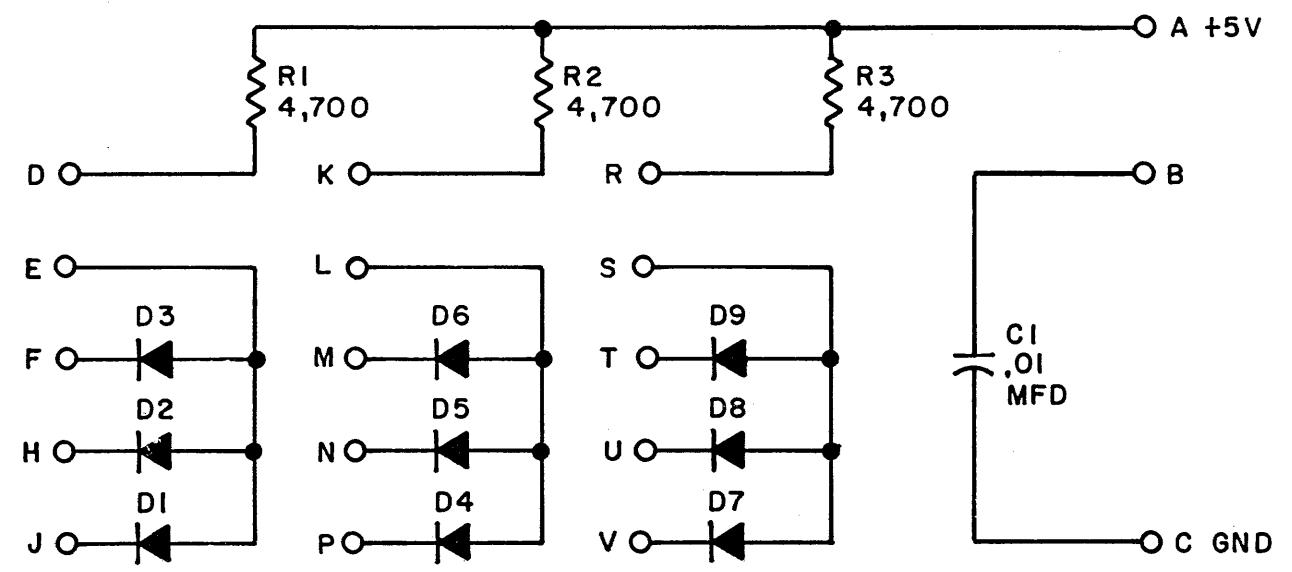
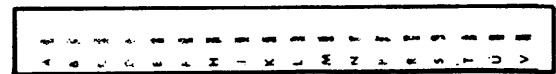


THIS SCHEMATIC IS FURNISHED ONLY FOR TEST AND MAINTENANCE PURPOSES. THE CIRCUITS ARE PROPRIETARY IN NATURE AND SHOULD BE TREATED ACCORDINGLY. COPYRIGHT 1967 BY DIGITAL EQUIPMENT CORPORATION



UNLESS OTHERWISE INDICATED:  
 DIODES ARE D600  
 RESISTORS ARE 1/4W, 10%



REVISIONS CHK CHG NO. REV.	DRN. <i>M. Haller</i>	DATE <i>3-27-67</i>	TRANSISTOR & DIODE CONVERSION CHART				 EQUIPMENT CORPORATION MAYNARD, MASSACHUSETTS	TITLE GATE EXPANDER K003			
	CHK'D <i>[Signature]</i>	DATE <i>[Signature]</i>	DEC	EIA	DEC	EIA		SIZE B	CODE CS	NUMBER K003-0-1	REV.
	ENG. <i>[Signature]</i>	DATE <i>3/27/67</i>	D600	IN4009				PRINTED CIRCUIT REV. <b>A</b>			
	PROD.	DATE									