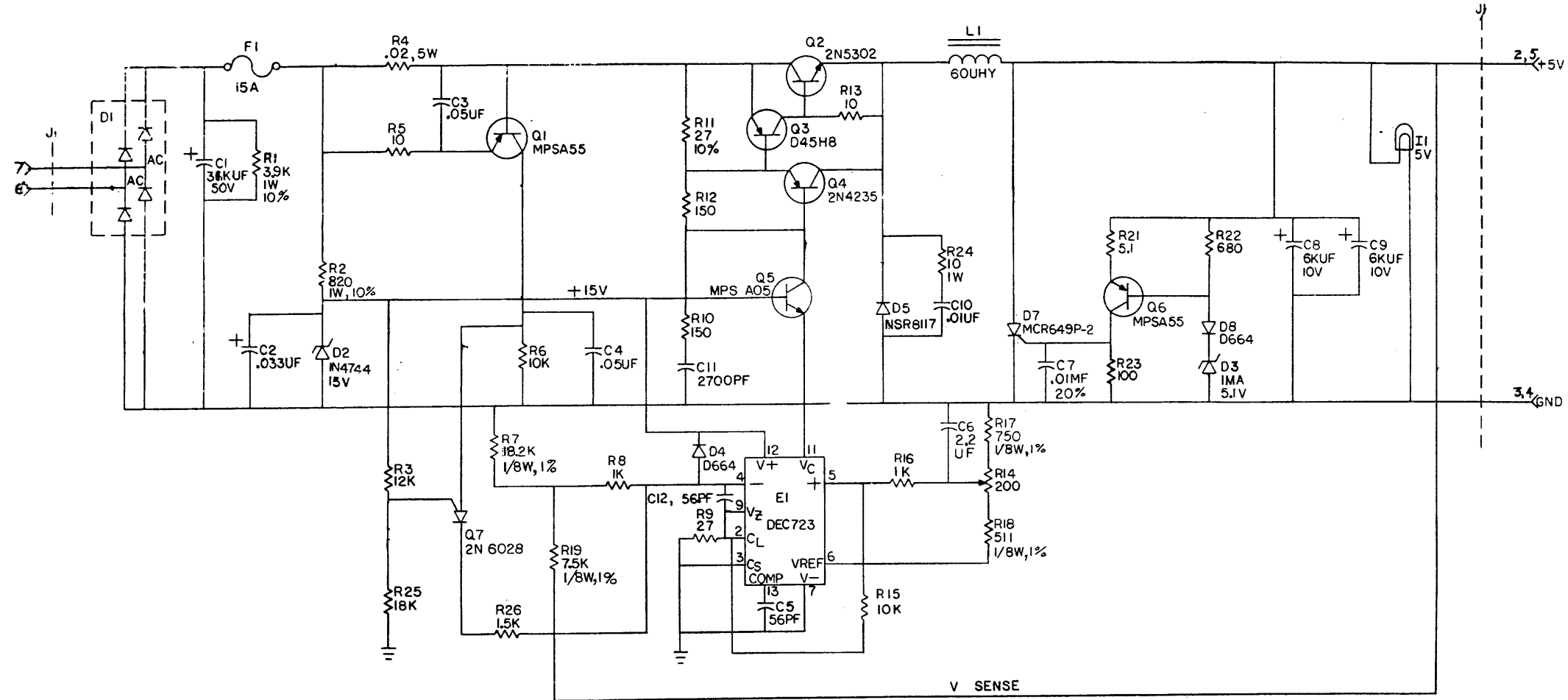


This drawing and specifications, herein, are the property of Digital Equipment Corporation and shall not be reproduced or copied or used in whole or in part as the basis for the manufacture or sale of items without written permission.

1-0-724 H 3003 215



UNLESS OTHERWISE INDICATED:
RESISTORS ARE 1/4W, 5%

1	A. BARRON	1-14-72
2	H744-00011	R
3	D. MARTEL	1-7-75
4	H744-00016	P
5	D. MARTEL	1-13-72
6	H744-00009	M
7	D. MARTEL	1-7-74
8	H744-00008	M
9	R. WOLF	11-24-72
10	H744-00004	J
11	H744-00006	L
12	L. S. LAWRENCE	1-11-72
13	H744-00005	K
14	H744-00003	H
15	G. POTTER	5-3-72
16	H744-00003	H
17	G. POTTER	5-3-72
18	H744-00002	F
19	H744-00002	F
20	G. POTTER	1-11-72
21	H744-00001	E

REV	CHK	CHANGE NO.	REV
1			
2			
3			
4			
5			
6			
7			
8			
9			
10			
11			
12			
13			
14			
15			
16			
17			
18			
19			
20			
21			

QTY	REF DESIGNATION	DESCRIPTION	PART NO.	ITEM NO.
PARTS LIST				
ETCH BOARD REV F H				
	IN964A	SAME	MPSA55	
	D664	IN3606	2N5302	
	MCR649P-2		D45H8	
	IN751A	SAME	MPSA05	
	IN4744	SAME		
	NSR8117			
	2N6028			
		EIA NO.	DEC NO.	EIA NO.

digital EQUIPMENT CORPORATION
MAYNARD, MASSACHUSETTS

TITLE: 5V REGULATOR

DATE: 1-2-71
DATE: 1-3-71
DATE: 1/7/72
DATE: 1/7/72

SCALE: DIST. SHEET 3 OF 4

SIZE CODE: DCS NUMBER: H744-0-1 REV: R

REV R
H744-0-1-1
DCS