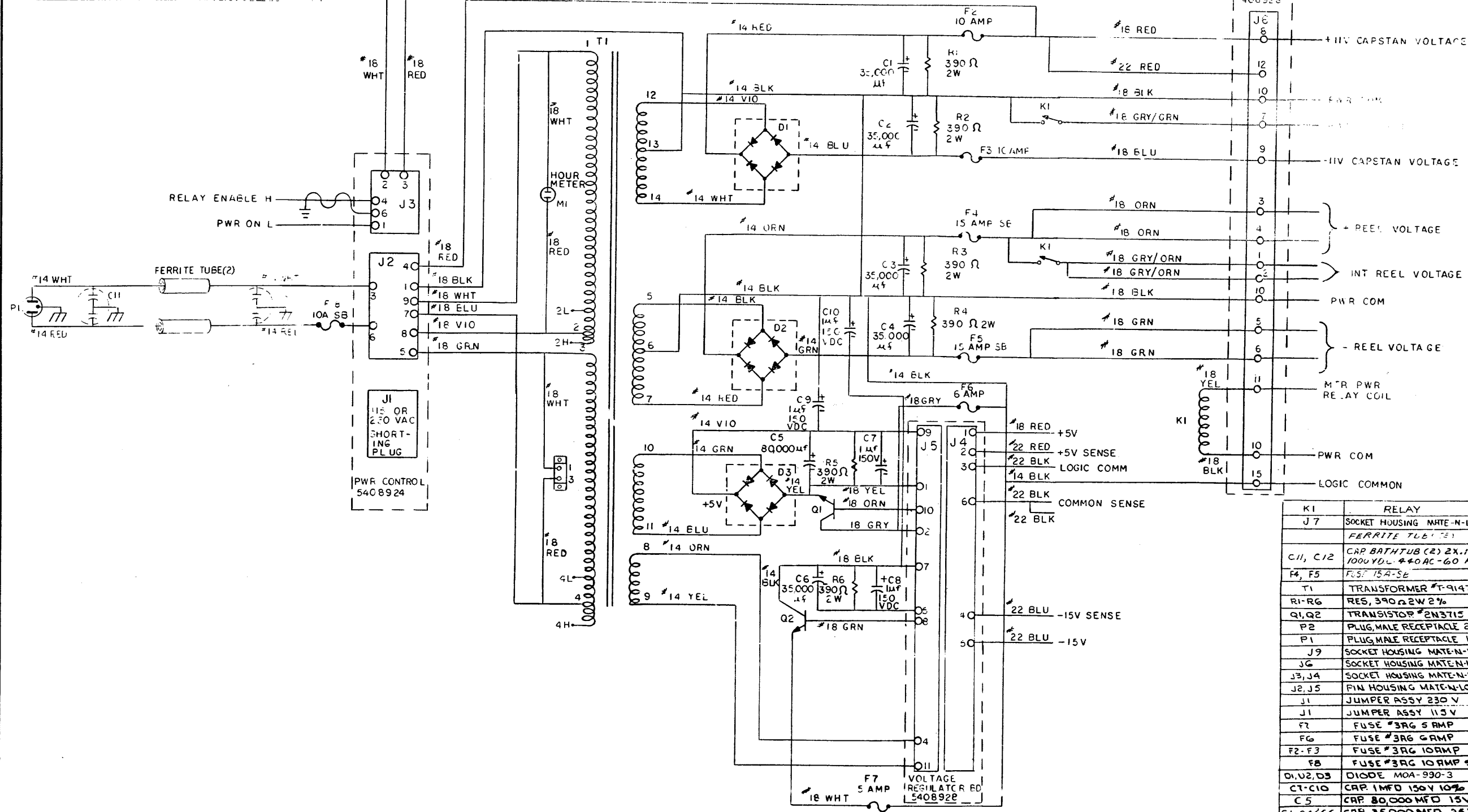


THIS SCHEMATIC IS FURNISHED ONLY FOR TEST AND MAINTENANCE PURPOSES. THE CIRCUITS ARE PROPRIETARY IN NATURE AND SHOULD BE TREATED ACCORDINGLY. COPYRIGHT 1970 BY DIGITAL EQUIPMENT CORPORATION.

USE 15A-5B FUSES FOR 115VAC OPERATION.  
USE 5A-5B FUSES FOR 230VAC OPERATION.  
(115V)

THIS IS FOR THE CHANGE

INPUT VOLTAGE	115V AC	COMMON
SERIAL	19-23	FIELD CHG. IF REQ.
DATE	2-11-71	NORMAL AS SHOWN
115-135, 230-250	2H, 4H	FIELD CHG. IF REQ.



REF DES	DESCRIPTION	PART NO
K1	RELAY	1210102
J7	SOCKET HOUSING MATE-N-LOCK	1209350-09
	FERRITE TUBE (2)	16-5177
C11, C12	CAP. BATHTUB (2) 2X.1 MF 1000 YDC 440AC-60 H.Z.	1002153
F4, F5	FUSE 15A-5B	9007227
T1	TRANSFORMER T-9147-D	1610056
R1-R6	RES. 390Ω 2W 2%	1301880
Q1, Q2	TRANSISTOR *2N3715	1503068
P2	PLUG, MALE RECEPTACLE 230V	1209845
P1	PLUG, MALE RECEPTACLE 115V	1201252
J9	SOCKET HOUSING MATE-N-LOCK	1209350-03
J6	SOCKET HOUSING MATE-N-LOCK	1209350-13
J3, J4	SOCKET HOUSING MATE-N-LOCK	1209350-06
J2, J5	FIN HOUSING MATE-N-LOCK	1209351-12
J1	JUMPER ASSY 230 V	8-1A7001176-0-0
J1	JUMPER ASSY 115 V	8-1A7001175-0-0
F7	FUSE #3RG 5 AMP	9007221
F6	FUSE #3RG 6 AMP	9007999
F2-F3	FUSE #3RG 10 AMP	9008838
F8	FUSE #3RG 10 AMP 5B.	9001225
D1, D2, D3	DIODE MOA-990-3	1110051
C7-C10	CAP. 1MFD 150V 10%	1000063
C5	CAP. 80,000 MFD 15V	1009190
C1-C4, C6	CAP. 35,000 MFD 25V	1000098

PARTS LIST

REF DES	DESCRIPTION	PART NO
K1	RELAY	1210102
J7	SOCKET HOUSING MATE-N-LOCK	1209350-09
	FERRITE TUBE (2)	16-5177
C11, C12	CAP. BATHTUB (2) 2X.1 MF 1000 YDC 440AC-60 H.Z.	1002153
F4, F5	FUSE 15A-5B	9007227
T1	TRANSFORMER T-9147-D	1610056
R1-R6	RES. 390Ω 2W 2%	1301880
Q1, Q2	TRANSISTOR *2N3715	1503068
P2	PLUG, MALE RECEPTACLE 230V	1209845
P1	PLUG, MALE RECEPTACLE 115V	1201252
J9	SOCKET HOUSING MATE-N-LOCK	1209350-03
J6	SOCKET HOUSING MATE-N-LOCK	1209350-13
J3, J4	SOCKET HOUSING MATE-N-LOCK	1209350-06
J2, J5	FIN HOUSING MATE-N-LOCK	1209351-12
J1	JUMPER ASSY 230 V	8-1A7001176-0-0
J1	JUMPER ASSY 115 V	8-1A7001175-0-0
F7	FUSE #3RG 5 AMP	9007221
F6	FUSE #3RG 6 AMP	9007999
F2-F3	FUSE #3RG 10 AMP	9008838
F8	FUSE #3RG 10 AMP 5B.	9001225
D1, D2, D3	DIODE MOA-990-3	1110051
C7-C10	CAP. 1MFD 150V 10%	1000063
C5	CAP. 80,000 MFD 15V	1009190
C1-C4, C6	CAP. 35,000 MFD 25V	1000098

REVISIONS	DATE	BY	DESCRIPTION
1	12/20/70	AB	INITIAL DESIGN
2	1/11/71	AB	REVISED FOR 115V OPERATION
3	2/11/71	AB	REVISED FOR 230V OPERATION
4	2/11/71	AB	REVISED FOR 115V OPERATION

DATE	12/20/70	BY	AB
DATE	1/11/71	BY	AB
DATE	2/11/71	BY	AB
DATE	2/11/71	BY	AB

TRANSISTOR & DIODE CONVERSION CHART	TITLE	H730
DEC	EA	DEC
DEC	EA	DEC
DEC	EA	DEC
DEC	EA	DEC

digital	EQUIPMENT CORPORATION	REV H
MASSACHUSETTS	MASSACHUSETTS	MASSACHUSETTS