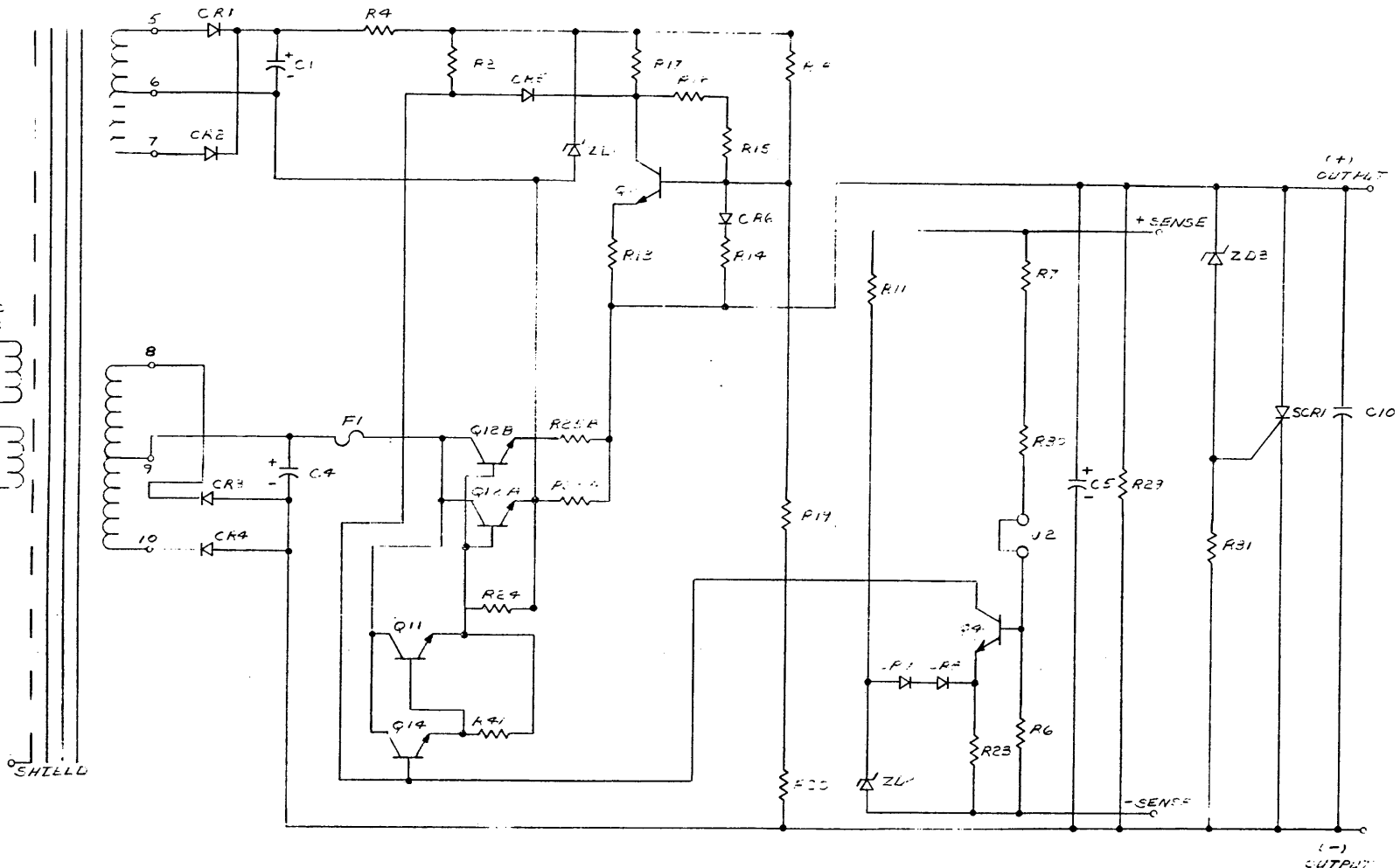


This drawing and specifications, herein, are the property of Digital Equipment Corporation and shall not be reproduced or copied or used in whole or in part as the basis for the manufacture or sale of items without written permission.

115/250 VAC
47-63 HZ



NOTES:
1. REPRODUCED WITH PERMISSION FROM DYNAGE INC.
2. DRAWING REPRODUCED FROM PRINT NO. 10217 REV C DYNAGE INC.

QTY.	DESCRIPTION	PART NO.	ITEM NO.
1	CIRCUIT BOARD (CER. COMPONENTS)		
1	TRANSFORMER 10,229 (DYNAGE)	T1	
2	TRANSISTOR SILICON 2N4355	Q1B	
1	TRANSISTOR SILICON 2N5320	Q1A	
1	TRANSISTOR SILICON 2N5123	Q2B	
2	TRANSISTOR SILICON 40232	Q2A	
1	DIODE ZENER 1.0M	ZD1	
1	DIODE ZENER 1.0M	ZD2	
1	FUSE F1	F1	
1	FUSE F2	F2	
1	RECTIFIER SCR NUC364 OR 2N1892	SCR1	
2	DIODE SILICON 1N4004 IN1378	CR3,4	
6	RECTIFIER SILICON 1N4148	CR1,2,5,6,7,8	
1	CAPACITOR TANT. 33 MFD 15 VDC	C1	
1	CAPACITOR ELECT. 1000MFD 15 VDC 10% TOL	C2	
1	CAPACITOR ELECT. 2200 MFD 25 VDC 10% TOL	C3	
1	CAPACITOR ELECT. 33 MFD 50 VDC 10% TOL	C4	
1	JUMPER	J1	
1	RESISTOR COMP. 1/4 W. 10% 56K	R1	
1	RESISTOR COMP. 1/4 W. 10% 100	R2	
1	RESISTOR COMP. 1/4 W. 5% TRIM	R3	
1	RESISTOR COMP. 1/4 W. 10% 220	R4	
2	RESISTOR W.W. 10 W. 5% 10.4K	R5, R6	
1	RESISTOR COMP. 1/4 W. 10% 27	R7	
1	RESISTOR M.F. 1/2 W. 1% 70	R8	
1	RESISTOR COMP. 1/4 W. 5% TRIM	R9	
1	RESISTOR COMP. 1/4 W. 10% 7.5K	R10	
1	RESISTOR COMP. 1/4 W. 5% 16K	R11	
1	RESISTOR COMP. 1/4 W. 10% 620	R12	
1	RESISTOR COMP. 1/4 W. 5% TRIM	R13	
1	RESISTOR COMP. 1/4 W. 5% 2.9K	R14	
1	RESISTOR COMP. 1/4 W. 10% 2.7K	R15	
1	RESISTOR COMP. 1/4 W. 5% 51	R16	
1	RESISTOR M.F. 1/2 W. 1% 68	R17	
1	RESISTOR M.F. 1/2 W. 1% TRIM	R18	
1	RESISTOR M.F. 1/2 W. 1% 300	R19	
1	RESISTOR M.F. 1 W. 5% 2.50	R20	
1	RESISTOR COMP. 1/4 W. 10% 5.1K	R21	

FIRST USED ON OPTION/MODEL	QTY.	DESCRIPTION	PART NO.	ITEM NO.																									
PARTS LIST																													
UNLESS OTHERWISE SPECIFIED DIMENSION IN INCHES.																													
TOLERANCES																													
DECIMALS	ANGLES																												
.XXX - .006	±0° 30'																												
.XX - .02																													
.X - .1																													
REMOVE BURRS AND BREAK SHARP CORNERS SURFACE QUALITY																													
MATERIAL NEXT HIGHER ASSY.																													
FINISH																													
<table border="1"> <tr> <td>DRN. DATE</td> <td>CHK'D. DATE</td> <td>ENG. DATE</td> <td>PROJ. ENG. DATE</td> <td>PROD. DATE</td> </tr> <tr> <td></td> <td></td> <td></td> <td></td> <td></td> </tr> </table>					DRN. DATE	CHK'D. DATE	ENG. DATE	PROJ. ENG. DATE	PROD. DATE																				
DRN. DATE	CHK'D. DATE	ENG. DATE	PROJ. ENG. DATE	PROD. DATE																									
<table border="1"> <tr> <td colspan="2" style="text-align: center;">digital EQUIPMENT CORPORATION MAYFIELD MASSACHUSETTS</td> <td colspan="3">TITLE</td> </tr> <tr> <td colspan="2"></td> <td colspan="3" style="text-align: center;">H710 POWER SUPPLY</td> </tr> <tr> <td>MATERIAL</td> <td>NEXT HIGHER ASSY.</td> <td>SIZE CODE</td> <td>NUMBER</td> <td>REV.</td> </tr> <tr> <td>FINISH</td> <td>SCALE</td> <td>DIST</td> <td></td> <td></td> </tr> <tr> <td></td> <td>SHEET OF</td> <td></td> <td></td> <td></td> </tr> </table>					digital EQUIPMENT CORPORATION MAYFIELD MASSACHUSETTS		TITLE					H710 POWER SUPPLY			MATERIAL	NEXT HIGHER ASSY.	SIZE CODE	NUMBER	REV.	FINISH	SCALE	DIST				SHEET OF			
digital EQUIPMENT CORPORATION MAYFIELD MASSACHUSETTS		TITLE																											
		H710 POWER SUPPLY																											
MATERIAL	NEXT HIGHER ASSY.	SIZE CODE	NUMBER	REV.																									
FINISH	SCALE	DIST																											
	SHEET OF																												