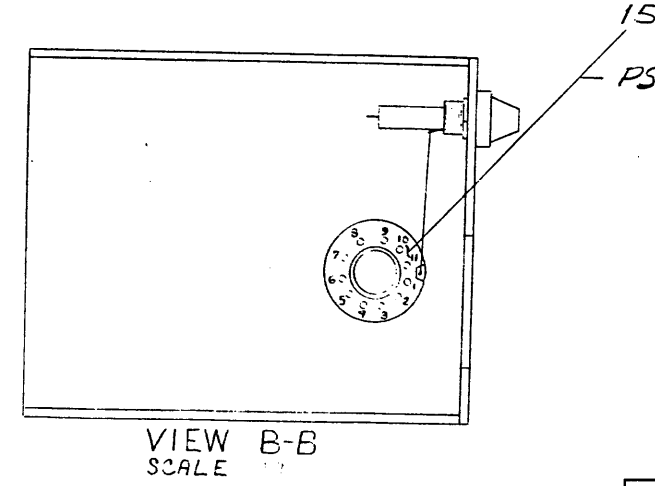
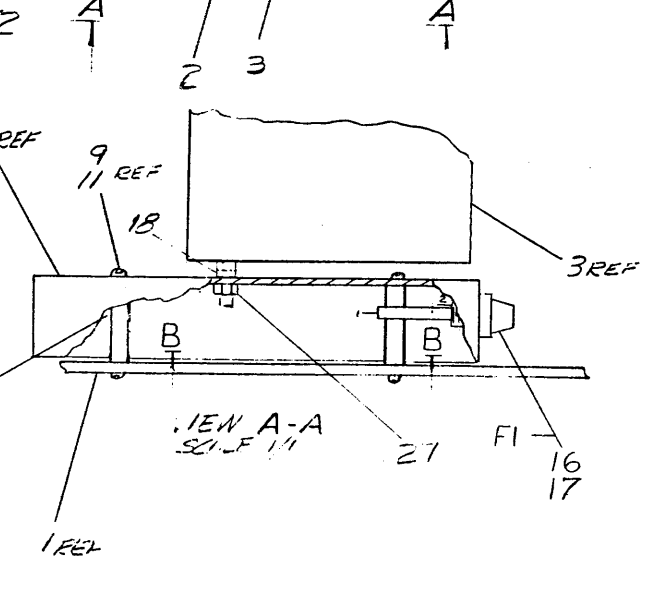
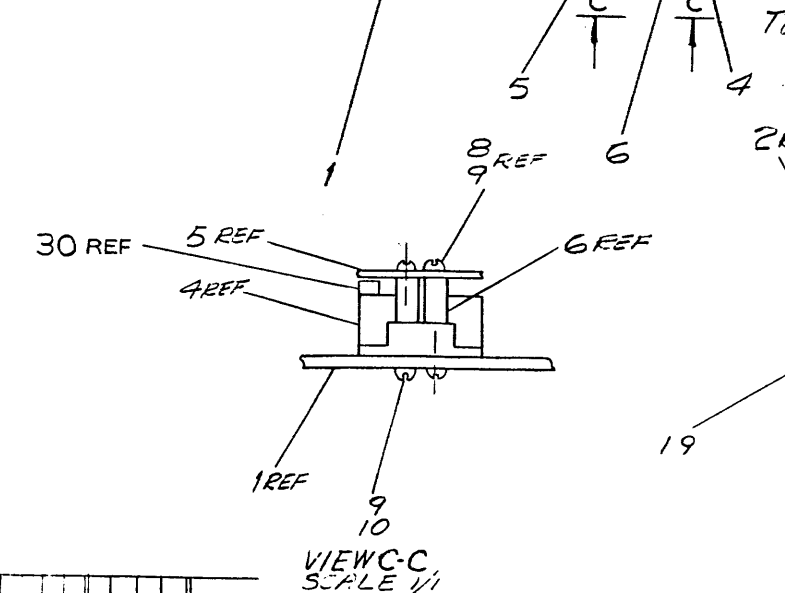
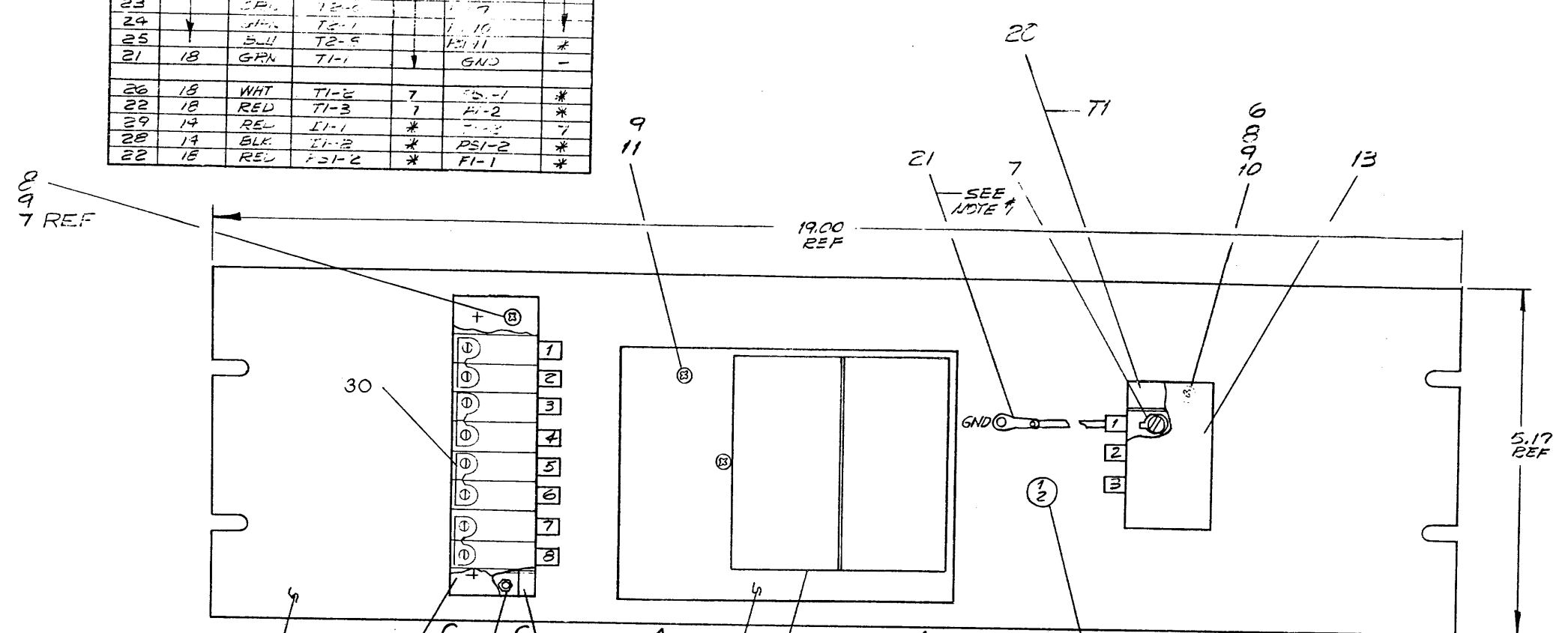


This drawing and specifications, herein, are the property of Digital Equipment Corporation and shall not be reproduced or copied or used in whole or in part as the basis for the manufacture or sale of items without written permission.

WIRE TABLE

ITEM NO	AWG	COLOR	FROM CONNECTION WITH	TO CONNECTION WITH
22	18	RED	T2-1	7
23		ORN	T2-2	7
24		GRN	T2-3	7
25		BLU	T2-4	7
22		RED	T2-5	7
23		ORN	T2-6	7
24		GRN	T2-7	7
25		BLU	T2-8	7
21	18	GRN	T1-1	GND
26	18	WHT	T1-2	7
22	18	RED	T1-3	7
29	14	RED	I1-1	*
28	14	BLK	I1-2	*
22	15	RED	F21-2	*
			F1-1	*

NOTES:
 1. ITEM (24) GRN WIRE, TO BE SOLDERED TO ITEM (21) GND LUG, THEN FASTEN STRAP (2) GND LUG BETWEEN ITEM (24) AND ITEM (21) WITH SPACER.
 2. * INDICATES SOLDER POINT OF WIRE



REV	CHANGE NO.	DATE	BY	CHKD.
1				
2				
3				
4				
5				
6				
7				
8				
9				
10				
11				
12				
13				
14				
15				
16				
17				
18				
19				
20				
21				
22				
23				
24				
25				
26				
27				
28				
29				
30				
31				
32				
33				
34				
35				
36				
37				
38				
39				
40				
41				
42				
43				
44				
45				
46				
47				
48				
49				
50				
51				
52				
53				
54				
55				
56				
57				
58				
59				
60				
61				
62				
63				
64				
65				
66				
67				
68				
69				
70				
71				
72				
73				
74				
75				
76				
77				
78				
79				
80				
81				
82				
83				
84				
85				
86				
87				
88				
89				
90				
91				
92				
93				
94				
95				
96				
97				
98				
99				
100				

FIRST USED ON OPTION/MODEL
AA11-D

DO NOT SCALE DRAWING
 UNLESS OTHERWISE SPECIFIED
 DIMENSION IN INCHES
 TOLERANCES
 DECIMALS FRACTIONS ANGLES
 ±.008 ± 1/64 ± 90°
 FINAL SURFACE QUALITY
 REMOVE BURRS AND BREAK SHARP CORNERS
 MATERIAL
 FINISH

QTY.	DESCRIPTION	PART NO.	ITEM NO.
PARTS LIST			
DRN.	DATE	digital EQUIPMENT CORPORATION MAYHARD, MASSACHUSETTS	
CHKD.	DATE		
ENGR.	DATE	TITLE POWER SUPPLY ASSY (115 VAC)	
PROJ. ENG.	DATE		
PROD.	DATE	NEXT HIGHER ASSY	
SCALE			
SHEET OF		SIZE CODE DUA H704-C-0	NUMBER C
DIST.			

SIZE CODE
 DUA H704-C-0
 REV C

